



2024

THE SAFETY EXPERT



Harnesses

Full Body and Rescue Harnesses | Sit Harnesses | Warning Jackets
Work Position Belts | Accessories



Lanyards

Lanyards with Webbing | Lanyards with Kernmantle Rope or Steel Cable | Energy Absorbing Lanyards



Retractable Type Fall Arrester

Flexible Series | Robusto Series



Retractable Type Fall Arrester Type HRA

HRA with Hoisting Facility



Tripods + Accessories

DB-A2 | DB-A3 | DB-A3R | Accessories



Cantilever Arms + Accessories

ASS-1 | ASS-2 | ASS 3 | ASS 4 | Mountings | Sleeves



Lifting Equipment

PLW | HPL | HL | Accessories Lifting Equipment



Descent Devices

Favorit ABS 3a W / WH | Bison ABS 4 W / WH | Speed Lift | Powerlift | HAS | Accessories



Anchorage Devices / Anchorage Systems

Anchorage Slings | Anchorpoints | Temporary Horizontal Lifelines | Accessories



Accessories

Connecting Elements | Bags and Cases for Devices



IKAR Kits

Arrest | Rescue | Positioning



Individual solutions

Customized Products





Quality and Safety made in Fulda

IKAR GmbH has many years of experience and a successful tradition in which innovation and creativity have been at the forefront from the very beginning.

IKAR GmbH was founded by Mr. Otto Herchet in 1978. Since this time, IKAR GmbH has developed an extensive range of fall protection products. Starting in the beginning with a production plant of the size of a domestic garage, IKAR GmbH has grown ever since to become a major international manufacturer of fall protection. Our wide range of products, including harnesses, anchorage devices, retractable type fall arresters and descent devices offer our customers the best possible solution with constantly controlled quality. Our Qualitymanagementsystem is certified according to EN ISO 9001:2015-11 (D).

Today the IKAR GmbH production plant covers over 3,500 sq.m., where all IKAR fall protection products are produced and shipped to over 50 countries around the world. IKAR currently produces and ships approximately 12,000 SRLs a month.

IKAR stands for Made in Germany

Besides the development, construction and assembly of the fall protection products, IKAR supplies itself with most of the component parts for its engineered products. The IKAR production plant includes a department for metal processing and a department for plastic injection-mold at the location in Fulda as well as a department for all soft goods manufacturing. Aluminium castings are manufactured in our subsidiary IKAR LMG Gusstechnik in Aue, Germany.

For a safe Future

At the beginning of 2020, the new training center of IKAR GmbH was completed at the Fulda location. On an area of 100 m², various user scenarios are simulated. The training tower has a height of 18 meters over 4 floors, providing optimal opportunities to conduct practical user training. IKAR's quality production requirements ensure that each and every engineered produced is 100% tested for safety, function and performance before shipping.

IKAR GmbH currently has the only complex test stand in Europe, equipped among other things with a climatic and a salt spray chamber, state-of-the-art measuring and high-speed video technology, calibrated and approved according to the latest CE, ANSI and CSA standards, not only for carrying out drop and tensile tests for the approval of personal fall protection systems, but also for its own quality assurance.

Note:

You can find further information on the company and its products on our website www.ikar-gmbh.de.





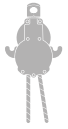
Comfort and Safety.

IKAR Harnesses are known for universal and ergonomical construction which results in a functionality, robust and high quality standard.



Harnesses

Safety and comfort are not mutually exclusive



The suitability of the fall arrest harnesses to be used results from the requirements of the functions for the user's work area and the protection target specifications to be pursued from the specifications of the statutory occupational health and safety.

The IKAR fall arrest, restraint and rescue harnesses are therefore your ideal partner for the safety and health protection of your employees at many workplaces at any time.

Climbing with ergonomic aspects

The arrester eyelet, positioned in the abdominal belt, enables the user to apply the force required for climbing on ladders with fall arrest systems mainly from the legs. The suitability of the application must be described in the instructions for use of the climbing protection system.



Safe Arrest and Fast Rescue

The rescue loop is tested for fall protection (A) and subsequent rescue. It is not necessary to transfer the fall arrest eyelet to the loop is not necessary in the event of an emergency.

Comfortable ergonomic load distribution

The back and leg pads, made of air-permeable material, stabilize the harness and serve as support for the seat function. This ensures fatigue-free sitting.



Quick Size adjustment

The size adjustment is set by pulling the end of the webbing. The adjustment can be easily increased by unfolding the locking element.

Distribution of loads with a minimum of perspiration

The padded back support has special ventilation channels and distributes the loads that occur during the individual functions over a large area over the relevant body region. This ensures fatigue-free work during positioning.





Full Body Harness IK G 20 A

according to EN 361:2002



- D-Ring at the back (shoulder area)
- 2 front fall arrest attachment loops in the chest area
- Individually adjustable leg and shoulder straps
- Quick connect buckles make the harness easy to fit and remove

Application:

Fall restraint and fall arrest

Areas of use:

Industry, work on scaffolding, mobile elevating working platforms

Order No.	Nominal Load	Weight
45-IK G 20 A	136 kg	0,95 kg



Full Body Harness IK G 20 B

according to EN 361:2002



- D-Ring at the back (shoulder area)
- 2 front fall arrest attachment loops in the chest area
- Individually adjustable leg and shoulder straps
- Quick release buckles make the harness easy to fit and take off

Application:

Fall restraint and fall arrest

Areas of use:

Industry, work on scaffolding, mobile elevating working platforms

Order No.	Nominal Load	Weight
45-IK G 20 B	136 kg	1,2 kg

Full Body Harness IK G 21

according to EN 361:2002



Order No.	Nominal Load	Weight
45-IK G 21	136 kg	1,6 kg

- 2 front fall arrest attachment loops in the chest area
- D-Ring at the back (shoulder area)
- Individually adjustable leg and shoulder straps
- Integrated breathable back and leg pads
- Quick release buckles make the harness easy to fit and remove
- Breathable leg pads

Application:

Fall restraint and fall arrest, Rescue

Areas of use:

Industry, work on scaffolding



Full Body Harness IK G 25

according to EN 361:2002



Order No.	Nominal Load	Weight
45-IK G 25	136 kg	1,6 kg

- 2 front fall arrest attachment loops in the chest area
- D-Ring at the back (shoulder area)
- Individually adjustable leg and shoulder straps
- Integrated back and leg padding
- Quick release buckles make the harness easy to fit and remove
- Breathable leg pads

Application:

Fall restraint and fall arrest

Areas of use:

Industry, work on scaffolding





Full Body Harness IK G 1 A

according to EN 361:2002



- D-Ring at the back (shoulder area)
- Individually adjustable leg and shoulder straps
- Quick connect buckles make the harness easy to fit and remove

Application:

Fall restraint and fall arrest

Areas of use:

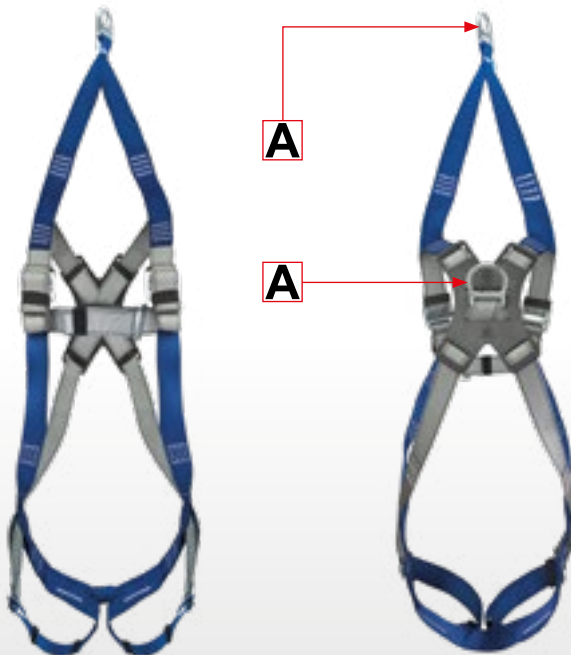
Industry, work on scaffolding

Order No.	Nominal Load	Weight
45-IK G 1 A a	136 kg	1,1 kg



Full Body Harness IK G 1 AR

according to EN 361:2002; EN 1497:2007



- Rescue overhead attachment*
- D-Ring at the back (shoulder area)
- Individually adjustable leg and shoulder straps
- Quick connect buckles make the harness easy to fit and remove

Application:

Fall restraint, fall arrest with the additional feature of an overhead rescue attachment for confined space applications

Areas of use:

Industry, construction and utility environments

Order No.	Nominal Load	Weight
45- IK G 1 A R a	136 kg	1,6 kg

* A RTFA Type HRA may be attached to this point when used in the vertical application, provided that the lifeline is attached from directly above.

Full Body Harness IK G 1 AW

according to EN 361:2002; EN 358:2018



Order No.	Nominal Load	Weight
45-IK G 1 A W	136 kg	1,7 kg

- Rear dorsal fall arrest D-Ring
- Individual size adjustment by secured setting elements
- Padded back support with ventilation ducts
- 2 side D-Rings for work positioning
- Quick connect buckles make the harness easy to fit and remove
- 4 tool bag attachment points

Application:

Fall restraint, work positioning and fall arrest

Areas of use:

Industry, work on scaffolding



Full Body Harness IK G 1 B

according to EN 361:2002



Order No.	Nominal Load	Weight
45- IK G 1 B a	136 kg	1,35 kg

- Rear dorsal fall arrest D-Ring
- Individual size adjustment by secured setting elements
- Wide back plate for Fixation of the back D-Ring
- Quick release buckles make the harness easy to fit and remove

Application:

Fall restraint and fall arrest

Areas of use:

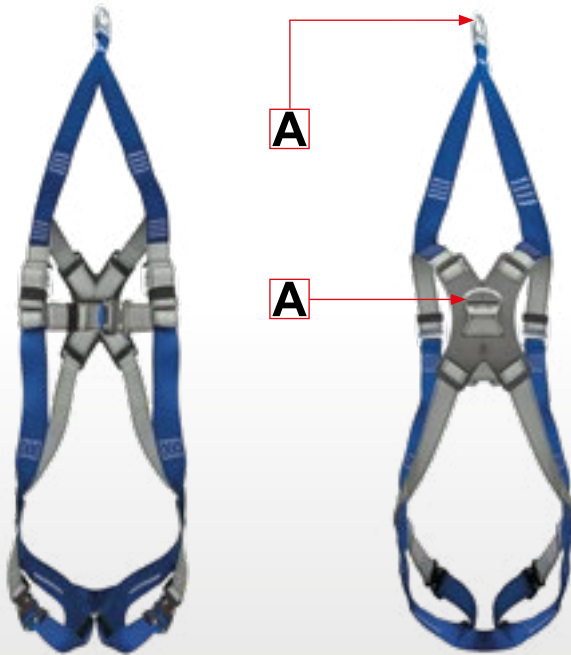
Industry, construction and utility environments





Full Body Harness IK G 1 BR

according to EN 361:2002; EN 1497:2007



- Rescue overhead attachment*
- Rear dorsal fall arrest D-Ring
- Individual size adjustment by secured setting elements
- Quick release buckles make the harness easy to fit and remove

Application:

Fall restraint and fall arrest

Areas of use:

Industry, confined spaces, utility environments

Order No.	Nominal Load	Weight
45-IK G 1 BR	136 kg	1,65 kg

* A RTFA Type HRA may be attached to this point when used in the vertical application, provided that the lifeline is attached from directly above.



Full Body Harness IK G 1 BX flex

according to EN 361:2002



- Rear dorsal fall arrest D-Ring
- Individual size adjustment by Quick adjustment element in the strap on each side
- Breathable back padding
- Sub-pelvic and leg loops made of elasticated webbing material
- Quick release buckles make the harness easy to fit and remove
- Integrated lanyard parking loops

Application:

Fall restraint and fall arrest

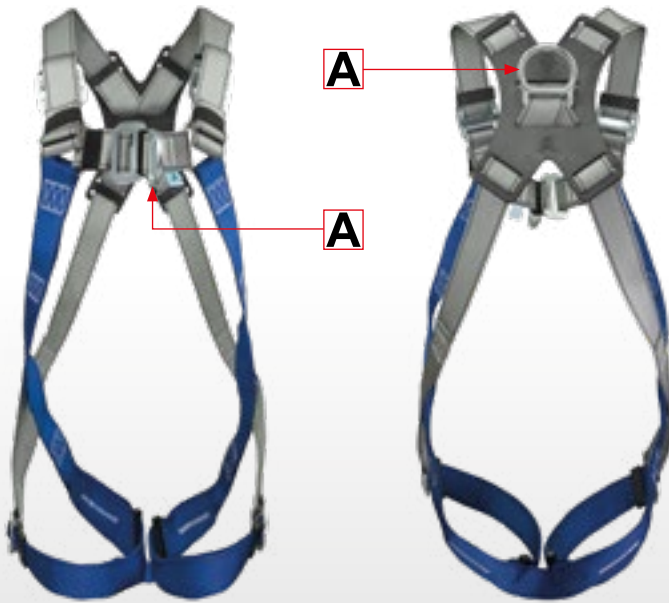
Areas of use:

Industry, construction and utility environments

Order No.	Nominal Load	Weight
45-IK G 1 BX flex	136 kg	1,6 kg

Full Body Harness IK G 2 A

according to EN 361:2002



Order No.	Nominal Load	Weight
45-IK G 2 A a	136 kg	1,35 kg

- Rear dorsal fall arrest D-Ring
- Front sternum fall arrest D-Ring
- Individual size adjustment by safety adjustment components
- Quick connect buckles make the harness easy to fit and remove

Application:

Fall restraint and fall arrest

Areas of use:

Industry, construction and utility environments



Full Body Harness IK G 2 A Pad

according to EN 361:2002



Order No.	Nominal Load	Weight
45-IK G 2 A PAD a	136 kg	1,6 kg

- Rear dorsal fall arrest D-Ring
- Front sternum fall arrest D-Ring
- Integrated back padding
- Individual size adjustment by secured setting elements
- Quick connect buckles make the harness easy to fit and remove

Application:

Fall arrest, fall restraint, rescue

Areas of use:

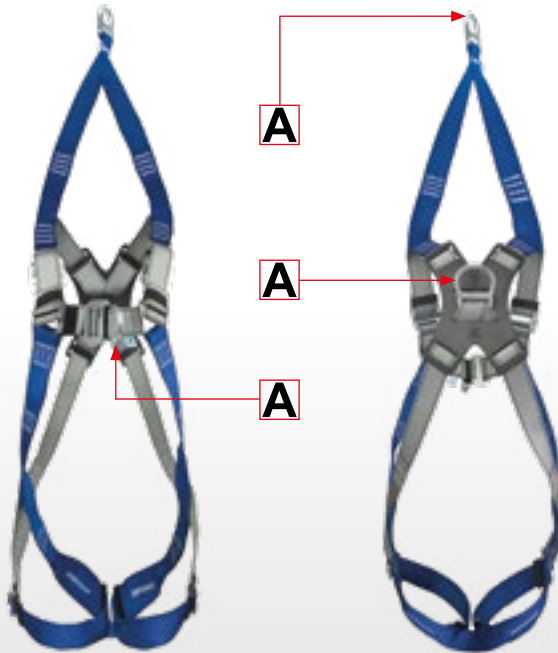
Industry, work on scaffolding, construction and utility environments





Full Body Harness IK G 2 AR

according to EN 361:2002; EN 1497:2007



- Rescue overhead attachment*
- Rear dorsal fall arrest D-Ring
- Front sternum fall arrest D-Ring
- Individually adjustable leg and shoulder straps
- Quick connect buckles make the harness easy to fit and remove

Application:

Fall arrest, fall restraint, rescue

Areas of use:

Industry, confined spaces

Order No.	Nominal Load	Weight
45-IK G 2 A R a	136 kg	1,5 kg

* A RTFA Type HRA may be attached to this point when used in the vertical application, provided that the lifeline is attached from directly above.



Full Body Harness IK G 2 AW

according to EN 361:2002; EN 358:2018



- Rear dorsal fall arrest D-Ring
- Front sternum fall arrest D-Ring
- Padded back support with ventilation ducts
- 2 side D-Rings for work positioning
- Individual size adjustment by secured setting elements
- Quick connect buckles make the harness easy to fit and remove
- 4 tool bag eyes

Application:

Fall Arrest, fall restraint, rescue, work positioning

Areas of use:

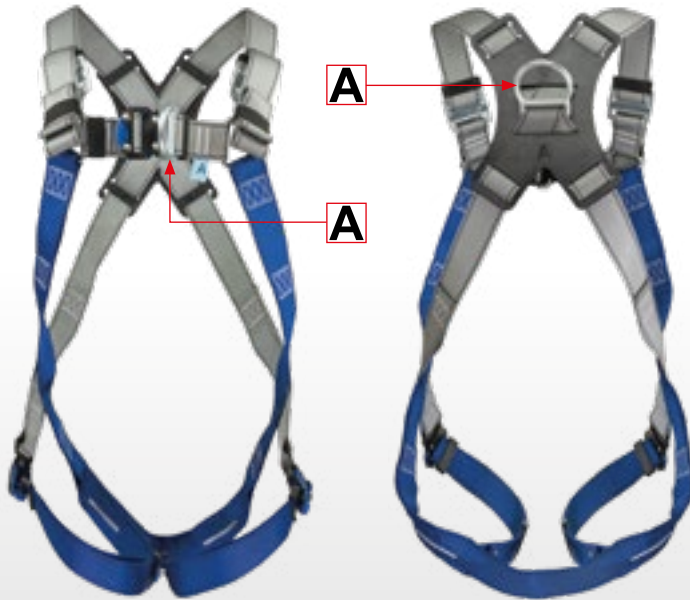
Industry, construction

Order No.	Nominal Load	Weight
45- IK G 2 A W	136 kg	1,6 kg



Full Body Harness IK G 2 B

according to EN 361:2002



Order No.	Nominal Load	Weight
45-IK G 2 B a	136 kg	1,6 kg

- Rear dorsal fall arrest D-Ring
- Front sternum fall arrest D-Ring
- Individual size adjustment by secured setting elements
- Quick release buckles make the harness easy to fit and remove

Application:

Fall restraint and fall arrest

Areas of use:

Industry, scaffolding



Full Body Harness IK G 2 B Pad

according to EN 361:2002



Order No.	Nominal Load	Weight
45-IK G 2 B Pad	136 kg	1,7 kg

- Rear dorsal fall arrest D-Ring
- Front sternum fall arrest D-Ring
- Integrated back padding
- Individual size adjustment by secured setting elements
- Quick release buckles make the harness easy to fit and remove

Application:

Fall Arrest, fall restraint, rescue

Areas of use:

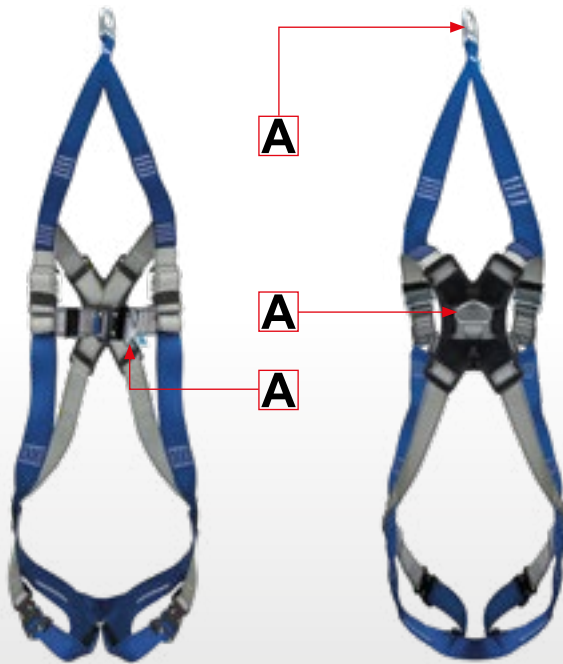
Industry, construction





Full Body Harness IK G 2 BR

according to EN 361:2002; EN 1497:2007



- Rescue overhead attachment*
- Rear dorsal fall arrest D-Ring
- Front sternum fall arrest D-Ring
- Individual size adjustment by secured setting elements
- Quick release buckles make the harness easy to fit and remove

Application:

Fall Arrest, fall restraint, rescue, work positioning

Areas of use:

Industry, scaffolding, confined spaces

Order No.	Nominal Load	Weight
45-IK G 2 B R a	136 kg	1,6 kg

* A RTFA Type HRA may be attached to this point when used in the vertical application, provided that the lifeline is attached from directly above.



Full Body Harness IK G 2 BW

according EN 361:2002, EN 358:2018



- Rear dorsal fall arrest D-Ring
- Front sternum fall arrest D-Ring
- Padded back support with ventilation ducts
- 2 side D-Rings for work positioning
- Individual size adjustment by secured setting elements
- Quick release buckles make the harness easy to fit and remove
- 4 tool bag eyes

Application:

Fall Arrest, fall restraint, rescue, work positioning

Areas of use:

Industry, construction

Order No.	Nominal Load	Weight
45-IK G 2 B W	136 kg	2,1 kg



Full Body Harness IK G 2 C

according to EN 361:2002



Order No.	Nominal Load	Weight
45-IK G 2 C	136 kg	1,5 kg

- Rear dorsal fall arrest D-Ring
- 2 front fall arrest attachment loops
- Individually adjustable leg and shoulder straps
- Quick release buckles make the harness easy to fit and remove

Application:

Fall restraint and fall arrest

Areas of use:

Industry, work on scaffolding



Full Body Harness IK G 2 BX flex

according to EN 361:2002



Order No.	Nominal Load	Weight
45-IK G 2 BX flex	136 kg	1,8 kg

- Rear dorsal fall arrest D-Ring
- Front sternum fall arrest D-Ring
- Individual size adjustment by Quick adjustment element
- Sub-pelvic and leg loops made of elasticated webbing material
- Integrated back padding
- Quick release buckles make the harness easy to fit and remove

Application:

Fall restraint and fall arrest

Areas of use:

Industry, work on scaffolding





Full Body Harness IK G 2 DXF flex

according to EN 361:2002



- Rear dorsal fall arrest D-Ring
- Front sternum fall arrest D-Ring
- Individually adjustable leg and shoulder straps
- Chest strap for stability
- Sub-pelvic and leg loops made of elasticated webbing material
- Quick release buckles make the harness easy to fit and remove

Application:

Fall arrest, fall restraint, rescue, work positioning

Areas of use:

Industry, scaffolding

Order No.	Nominal Load	Weight
45-IK G 2 DXF flex	136 kg	1,7 kg



Full Body Harness IK G 2 DXFP flex

according to EN 361:2002; EN 358:2018



- Rear dorsal fall arrest D-Ring
- Front sternum fall arrest D-Ring
- Individually adjustable leg and shoulder straps
- Chest strap for stability
- Integrated back padding
- Sub-pelvic and leg loops made of elasticated webbing material
- Quick release buckles make the harness easy to fit and remove

Application:

Fall arrest, fall restraint, rescue, work positioning

Areas of use:

Industry, scaffolding

Order No.	Nominal Load	Weight
45-IK G 2 DXFP flex	136 kg	1,7 kg

High visibility vest with integral Full Body Harness IKWA

according to EN 361:2002; ISO 20471

especially for suitable IKAR harnesses



- Special, high-quality warning jacket with fluorescent strip, robust and easy-care textile with high isolation and wearing comfort
- Inner vest for harness assembly with harness fixation, suitable for quick assembly and disassembly with IKAR harness systems suitable for easy fit and remove of an IKAR two-point fall arrest harness, not suitable for IKAR harnesses with waistbelt
- Feed-through slots can be closed in a weather-proof manner
- Sewn-in hooded pocket in the inner upper back area for the rescue loop
- Available in 3 sizes S-M, L-XL, XXL
- Weights 820 g, 860 g, 900 g, depending on size
- Permitted as high-visibility clothing in road traffic
- Nominal load: 136 kg

Application:

Fall arrest, fall restraint, rescue, work positioning

Areas of use:

Industry, construction and utility environments

Harness + Jacket	Size	Order No.
IK G20 As	S-M	45-IKWA G 20 A s
IK G20 A	L-XL	45-IKWA G 20 A
IK G20 A BB	XXL	45-IKWA G 20 A BB
IK G20 Bs	S-M	45-IKWA G 20 B s
IK G20 B	L-XL	45-IKWA G 20 B
IK G20 B BB	XXL	45-IKWA G 20 B BB
IK G1 As	S-M	45-IKWA G 1 A as
IK G1 A	L-XL	45-IKWA G 1 A a
IK G1 A BB	XXL	45-IKWA G 1 A BB
IK G1 Bs	S-M	45-IKWA G 1 B as
IK G1 B	L-XL	45-IKWA G 1 B a
IK G1 B BB	XXL	45-IKWA G 1 B aBB
IK G1 BRs	S-M	45-IKWA G 1 B Rs
IK G1 BR	L-XL	45-IKWA G 1 BR a
IK G1 BR BB	XXL	45-IKWA G 1 BR aBB

Harness + Jacket	Size	Order No.
IK G2 As	S-M	45-IKWA G 2 As
IK G2 A	L-XL	45-IKWA G 2 A
IK G2 A BB	XXL	45-IKWA G 2 A BB
IK G2 Bs	S-M	45-IKWA G 2 B as
IK G2 B	L-XL	45-IKWA G 2 B a
IK G2 B BB	XXL	45-IKWA G 2 B BB
IK G2 ARs	S-M	45-IKWA G 2 AR as
IK G2 AR	L-XL	45-IKWA G 2 AR
IK G2 AR BB	XXL	45-IKWA G 2 AR BB
IK G2 BRs	S-M	45-IKWA G 2 BR as
IK G2 BR	L-XL	45-IKWA G 2 BR a
IK G2 BR BB	XXL	45-IKWA G 2 BR aBB
IK G2 Cs	S-M	45-IKWA G 2 Cs
IK G2 C	L-XL	45-IKWA G 2 C
IK G2 C BB	XXL	45-IKWA G 2 C BB





Full Body Harness IK G 3 BW

according to EN 361:2002; EN 358:2018



- Rear dorsal fall arrest D-Ring
- Padded back support with ventilation ducts
- 2 side D-Rings for work positioning
- Individually adjustable leg and shoulder straps
- Quick release buckles make the harness easy to fit and remove
- 4 tool bag eyes

Application:

Fall restraint, work positioning and fall arrest

Areas of use:

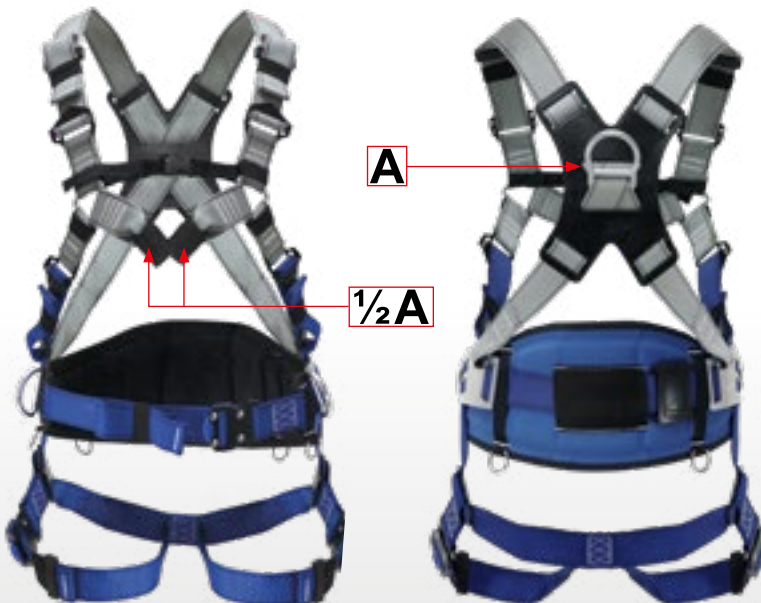
Industry, work on scaffolding, construction and utility environments

Order No.	Nominal Load	Weight
45-IK G 3 B W	136 kg	2,0 kg



Full Body Harness IK G 3 BCW

according to EN 361:2002; EN 358:2018



- Rear dorsal fall arrest D-Ring
- 2 front fall arrest attachment loops
- Padded back support with ventilation ducts
- 2 side D-Rings for work positioning
- Individually adjustable leg and shoulder straps
- Quick release buckles make the harness easy to fit and remove
- 4 tool bag eyes

Application:

Fall restraint, abseiling, work positioning and fall arrest

Areas of use:

Industry, work on scaffolding, construction and utility environments

Order No.	Nominal Load	Weight
45-IK G 3 B C W	136 kg	2,1 kg

Full Body- and Sit Harness IK G 4 DW

according to EN 361:2002; EN 358:2018; EN 813:2008

developed for IKAR Personnel and Load Winch



Order No.	Nominal Load	Weight
45-IK G 4 DW	136 kg	3,0 kg

- 1 D-Ring in the chest area
- 1 D-Ring in the back (shoulder)
- Individual size adjustment via leg and shoulder straps
- Padded back support with ventilation ducts
- Integrated waistbelt with 2 D-Rings for work positioning
- Aluminium quick release buckles
- 4 tool bag eyes
- Leg padding

Application:

Fall arrest, fall restraint, rescue, work positioning

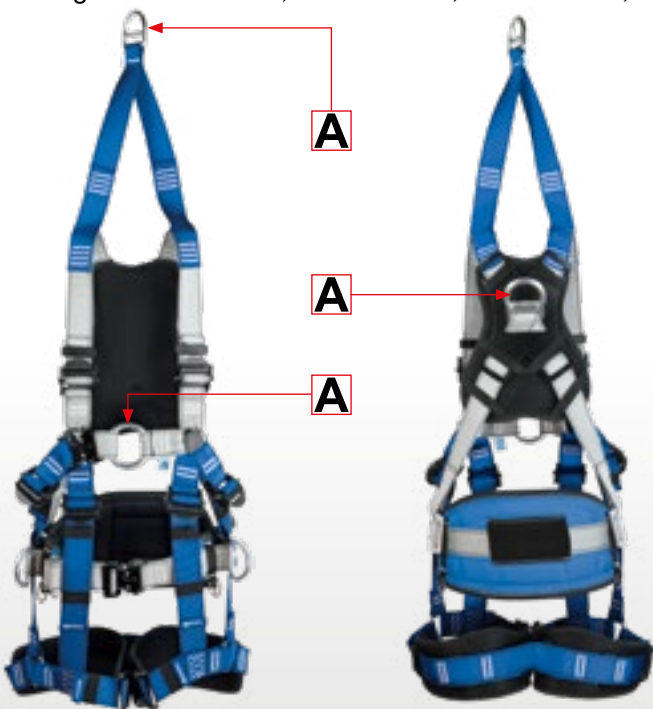
Areas of use:

Industry, construction, confined spaces, utility environments, scaffolding



Full Body- / Sit- and Rescue Harness IK G 4 DWR

according to EN 361:2002; EN 358:2018; EN 813:2008; EN 1497:2007 for IKAR Personnel and Load Winch



Order No.	Nominal Load	Weight
45-IK G 4 DW R	136 kg	3,0 kg

- 1 D-Ring in the chest area
- 1 D-Ring in the back (shoulder)
- 1 rescue and recovery loop with aluminum D-Ring*
- Individual size adjustment via leg and shoulder straps
- Padded back support with ventilation ducts
- Integrated waistbelt with 2 D-Rings for work positioning
- Aluminium quick release buckles
- 4 tool bag eyes and leg padding

Application:

Fall arrest, fall restraint, rescue, work positioning

Areas of use:

Industry, construction, confined spaces, utility environments, scaffolding



* A RTFA Type HRA may be attached to this point when used in the vertical application, provided that the lifeline is attached from directly above.



Full Body- and Sit Harness IK G 4 DWS

according to EN 361:2002; EN 358:2018; EN 813:2008

developed for IKAR Personnel and Load Winch



- 1 D-Ring in the chest area
- 1 D-Ring in the back (shoulder)
- Individual size adjustment via leg and shoulder straps
- D-Ring in the front for ascending
- padded back support with ventilation ducts
- Integrated waistbelt with 2 D-Rings for work positioning
- Aluminium quick release buckles
- 4 tool bag eyes and leg padding

Application:

Fall arrest, fall restraint, rescue, work positioning

Areas of use:

Industry, construction, confined spaces, utility environments, scaffolding

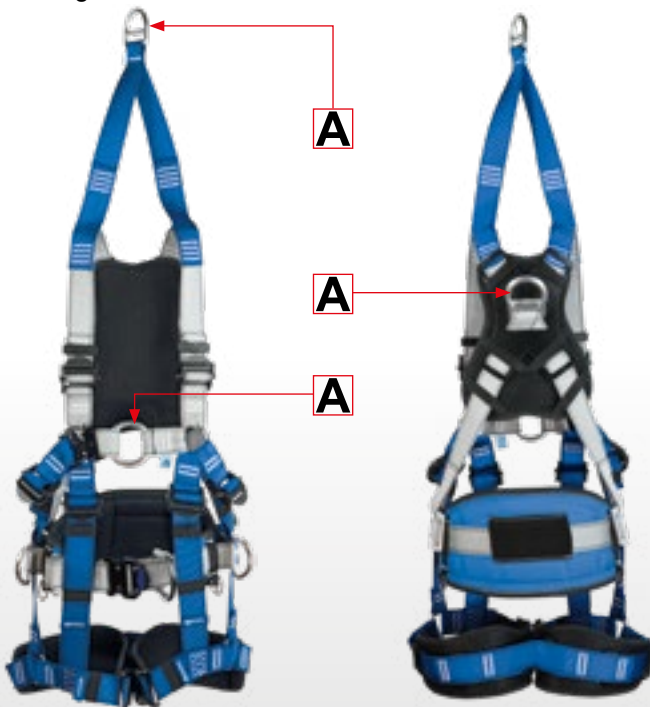
Order No.	Nominal Load	Weight
45-IK G 4 DW S	136 kg	3,0 kg



Full Body- / Sit- and Rescue Harness IK G 4 DWRS

according to EN 361:2002; EN 358:2018; EN 813:2008; EN 1497:2007

for IKAR Personnel and Load Winch



- 1 D-Ring in the chest area
- 1 D-Ring in the back (shoulder)
- 1 rescue and recovery loop with aluminum D-Ring*
- Individual size adjustment via leg and shoulder straps
- D-Ring in the front for ascending
- Padded back support with ventilation ducts
- Integrated waistbelt with 2 D-Rings for work positioning
- Aluminium quick release buckles
- 4 tool bag eyes and leg padding

Application:

Fall arrest, fall restraint, rescue, work positioning

Areas of use:

Industry, construction, confined spaces, utility environments, scaffolding

Order No.	Nominal Load	Weight
45-IK G 4 DW RS	136 kg	3,0 kg

* A RTFA Type HRA may be attached to this point when used in the vertical application, provided that the lifeline is attached from directly above.



Shoulder Pads & Leg Pads

in conjunction to IKAR harness systems



Shoulder Pad:

The IKAR shoulder pad is a comfort component for IKAR harnesses. Due to the modern and highquality materials used it is dimensionally stable, particularly light and air-permeable. It provides pressure relief on the shoulders especially when using IKAR RTFA with Twin Adapter.

Leg Pads:

The ergonomically ideal shaped leg pad follows the movement line at the transition of the legs to the buttocks. This ensures that the freedom of movement of the joint is not restricted, and in the event of a fall or hanging in the harness, optimal load distribution is ensured.

Order No.	Product	Weight	Dimensions (mm)
45-IK Pad Schulter	Shoulder Pad	0,02 kg	180 x 80 x 8
45-PadBein	Leg Pad	0,04 kg	45 x 60 (110) x 8

Work Positioning Seat

for support with IKAR harnesses



- Light, compact and comfortable due to the easy-care and robust pole with internal aluminium support plate
- Can be attached via the (D-Ring) IKV 37
- Straps of 45 mm wide webbing made of polyester
- From individually adjustment via optimal ergonomic seating
- Additionally equipped with material and tool eyelets

Application:

Work positioning, person transport

Application:

IKAR HPL-Systems

Order No.	Capacity Load	Weight	Dimensions (mm)
45-IK SB	136 kg	2 kg	approx. 600 x 190 x 140





Trauma Step

Useful addition for harness systems to prevent suspension trauma



- Adjustable length
- Ensures the relief of the strains and promotes so the blood circulation in the legs
- Easy attachment to the harness
- Simple and fast zipper style
- Loop construction with 1.2 m max. length
- Sold in pairs

Order No.	Capacity Load	Weight	Dimensions (mm)	Strap (mm)
45-IK TS	140 kg	53 g	Ø 65 x 40	19 x 200



Waistbelt IK W BB according to EN 358:2018

- 45 mm wide polyamide webbing with quick release buckle
- Wide backrest with ventilation ducts
- 2 side D-Rings (45 mm)
- 4 tool bag eyes



Variants Waistbelts:

Waistbelt IK W BB:

- Waistbelt, without rope

Waistbelt IK W BB 100:

- Waistbelt, with Ø 11 mm kernmantle rope
- Lanyard length 1,00 m
- Steel double action hook IKV 06

Waistbelt IK W BB 150 A6:

- Waistbelt, with Ø 11 mm kernmantle rope
- Lanyard length 1,50 m, adjustable in length
- Steel double action hook IKV 06

Order No.	Variant	Weight
45-IK W BB	without rope	0,70 kg
45-IK W BB K 100 6	with rope	1,10 kg
45-IK W BB K 150 A6	with rope, adjustable in length	1,15 kg



Waistbelt IK WRB B 150 A13

according to EN 358:2018

- 45 mm wide polyamide webbing with quick release buckle
- Narrow, air-permeable back support
- Lateral retaining eyelet



Order No.	Weight
45-IK WRB B 150 A13	1,1 kg





Connections without restrictions.

Whether in restraint systems without energy absorbers or in fall arrest systems with energy absorbers: The robust quality of IKAR lanyards is the safe and economical link in your personal fall protection systems.



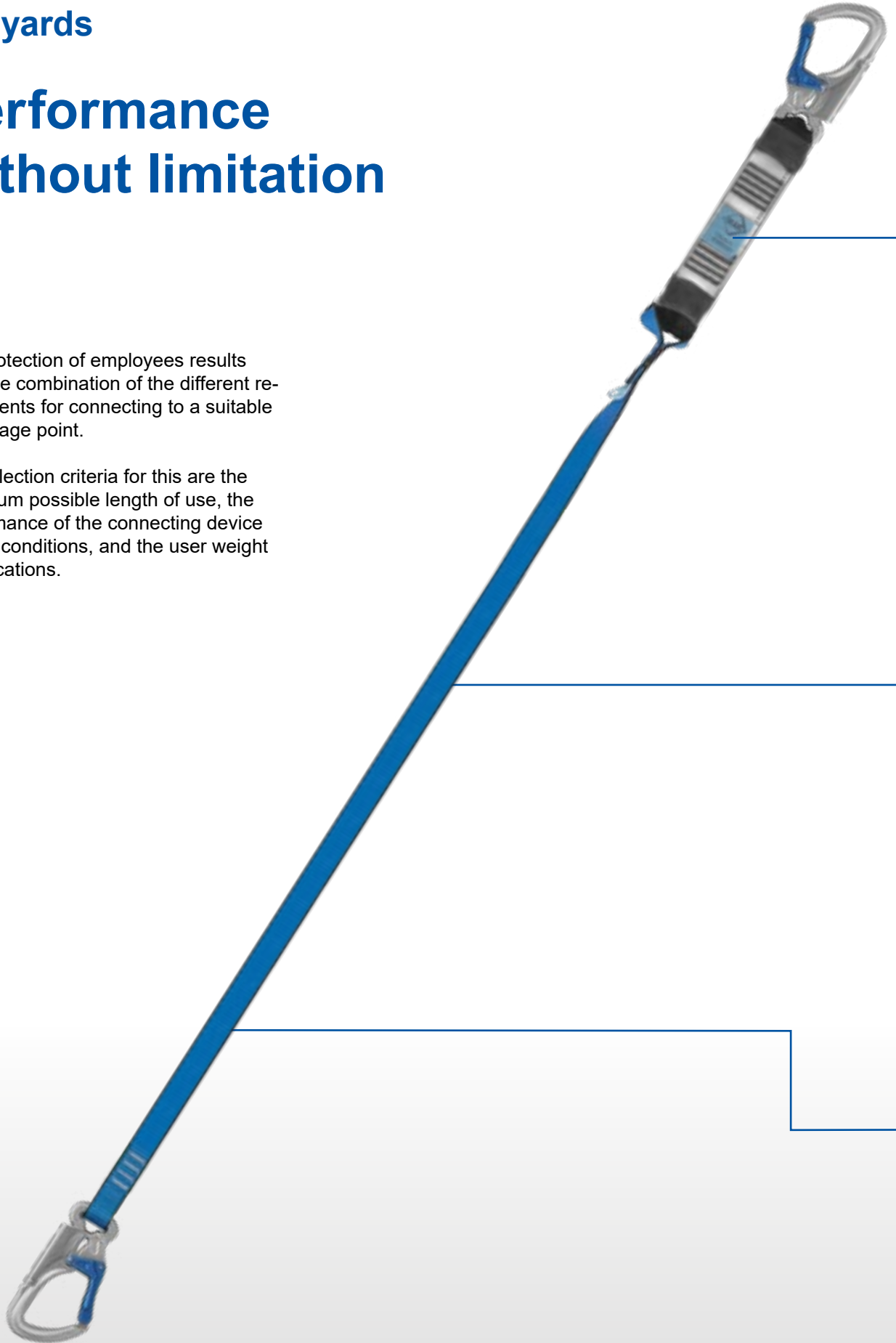
Lanyards

Performance without limitation



The protection of employees results from the combination of the different requirements for connecting to a suitable anchorage point.

The selection criteria for this are the maximum possible length of use, the performance of the connecting device in cold conditions, and the user weight specifications.



Performance at a wide range of application

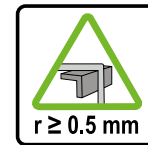
The energy absorber is designed for a user weight of 65-136 kg.

The system can be used from -30 °C to +50 °C.

Maximum arresting force under 6 kN

Universal use

IKAR Energy Absorbing Lanyards have been certified in a simulated fall trial over an edge.



Fall protection without restriction

A total length of the system of up to 2 m is possible without restriction the maximum allowed fall distance.





Webbing Lanyard according to EN 354:2010

- Made from 25 mm polyester webbing
- Variants connecting elements at each end of the lanyard:
 - Aluminium IKV 11 (gate opening 25 mm)
 - Steel IKV 06 (gate opening 18 mm)



Length	Order No. (IKV 06)	Order No. (IKV 11)
1,00 m	45-IK6 B 100 6	45-IK2 B 100 2
1,50 m	45-IK6 B 150 6	45-IK2 B 150 2
1,75 m	45-IK6 B 175 6	45-IK2 B 175 2
2,00 m	45-IK6 B 200 6	45-IK2 B 200 2

Application:

Restraint, work positioning

Areas of use:

Industry, Utility, Construction



Adjustable Webbing Lanyard according to EN 358:2018

- Made from 25 mm polyester webbing

Variant 1:

- Variants connecting elements at each end of the lanyard:
 - Aluminium IKV 11 (gate opening 25 mm)
 - Steel IKV 06 (gate opening 18 mm)



Length	Order No. (IKV 06)	Order No. (IKV 11)
1,00 m	45-IK6 B 100 A6	45-IK2 B 100 A2
1,50 m	45-IK6 B 150 A6	45-IK2 B 150 A2
1,75 m	45-IK6 B 175 A6	45-IK2 B 175 A2
2,00 m	45-IK6 B 200 A6	45-IK2 B 200 A2

Application:

Restraint, work positioning

Areas of use:

Industry, Utility, Construction

Variant 2:

- Variants connecting elements at one end of the lanyard:
 - Aluminium IKV 11 (gate opening 25 mm)
 - Steel IKV 06 (gate opening 18 mm)
- Large double action hook IKV 55 (gate opening 61 mm)



Length	Order No. (IKV 06)	Order No. (IKV 11)
1,00 m	45-IK6 B 100 A3	45-IK2 B 100 A3
1,50 m	45-IK6 B 150 A3	45-IK2 B 150 A3
1,75 m	45-IK6 B 175 A3	45-IK2 B 175 A3
2,00 m	45-IK6 B 200 A3	45-IK2 B 200 A3

Application:

Restraint, work positioning

Areas of use:

Industry, Utility, Construction

Kernmantle Rope Lanyard according to EN 354:2010

- Made from Ø 11 mm kernmantle rope
- Variants connecting elements at each end of the lanyard:
 - Aluminium IKV 11 (gate opening 25 mm)
 - Steel IKV 06 (gate opening 18 mm)



Length	Order No. (IKV 06)	Order No. (IKV 11)
1,00 m	45-IK6 K 100 6	45-IK2 K 100 2
1,50 m	45-IK6 K 150 6	45-IK2 K 150 2
1,75 m	45-IK6 K 175 6	45-IK2 K 175 2
2,00 m	45-IK6 K 200 6	45-IK2 K 200 2

Application:

Restraint, work positioning

Areas of use:

Industry, Utility, Construction

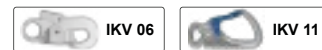


Adjustable Kernmantle Rope Lanyard according to EN 358:2018

- Made from Ø 11 mm kernmantle rope

Variant 1:

- Variants connecting elements at each end of the lanyard:
 - Aluminium IKV 11 (gate opening 25 mm)
 - Steel IKV 06 (gate opening 18 mm)



Length	Order No. (IKV 06)	Order No. (IKV 11)
1,00 m	45-IK6 K 100 A6	45-IK2 K 100 A2
1,50 m	45-IK6 K 150 A6	45-IK2 K 150 A2
1,75 m	45-IK6 K 175 A6	45-IK2 K 175 A2
2,00 m	45-IK6 K 200 A6	45-IK2 K 200 A2

Application:

Restraint, work positioning

Areas of use:

Industry, Utility, Construction

Variant 2:

- Variants connecting elements at one end of the lanyard:
 - Aluminium IKV 11 (gate opening 25 mm)
 - Steel IKV 06 (gate opening 18 mm)
- Large double action hook IKV 55 (gate opening 61 mm)



Length	Order No. (IKV 06)	Order No. (IKV 11)
1,00 m	45-IK6 K 100 A3	45-IK2 K 100 A3
1,50 m	45-IK6 K 150 A3	45-IK2 K 150 A3
1,75 m	45-IK6 K 175 A3	45-IK2 K 175 A3
2,00 m	45-IK6 K 200 A3	45-IK2 K 200 A3

Application:

Restraint, work positioning

Areas of use:

Industry, Utility, Construction





Webbing Energy Absorbing Lanyard

according to EN 354:2010; EN 355:2002

- Energy absorbing element with 25 mm webbing lanyard
- Nominal load 65 - 136 kg
- Can be used up to -30° C
- Connector variants at webbing end or Energy Absorber:
 - Aluminium IKV 11 (*gate opening 25 mm*)
 - Steel IKV 06 (*gate opening 18 mm*)



Length	Order No. (IKV 06)	Order No. (IKV 11)
1,00 m	45-IK6 FB 100 6	45-IK2 FB 100 2
1,50 m	45-IK6 FB 150 6	45-IK2 FB 150 2
1,75 m	45-IK6 FB 175 6	45-IK2 FB 175 2
2,00 m	45-IK6 FB 200 6	45-IK2 FB 200 2

Application:

For use in fall arrest systems

Areas of use:

Industry, scaffolding



Webbing Energy Absorbing Lanyard

according to EN 354:2010; EN 355:2002

- Energy absorbing element with 25 mm webbing lanyard
- Nominal load 65 - 136 kg
- Can be used up to -30° C
- Large double action hook IKV 55 (*gate opening 61 mm*)
- Connector variants at Energy Absorber:
 - Aluminium IKV 11 (*gate opening 25 mm*)
 - Steel IKV 06 (*gate opening 18 mm*)



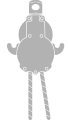
Length	Order No. (IKV 06)	Order No. (IKV 11)
1,00 m	45-IK6 FB 100 3	45-IK2 FB 100 3
1,50 m	45-IK6 FB 150 3	45-IK2 FB 150 3
1,75 m	45-IK6 FB 175 3	45-IK2 FB 175 3
2,00 m	45-IK6 FB 200 3	45-IK2 FB 200 3

Application:

For use in fall arrest systems

Areas of use:

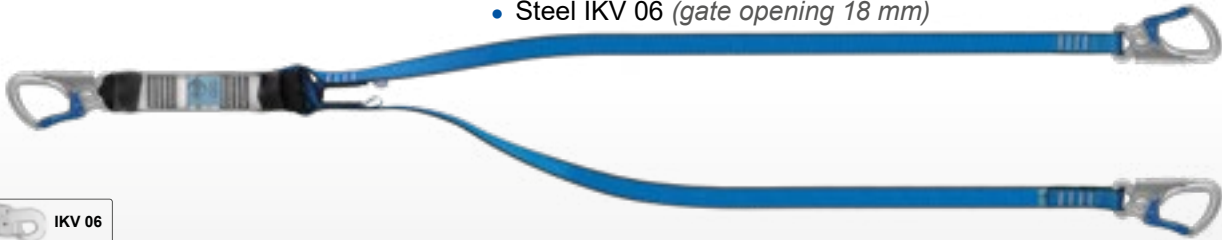
Industry, scaffolding



Webbing Energy Absorbing Y Lanyard

according to EN 354:2010; EN 355:2002

- Energy absorbing element with 25 mm webbing lanyard, Y-Version
- Nominal load 65 - 136 kg
- Can be used up to -30° C
- Connector variants at webbing end or Energy Absorber:
 - Aluminium IKV 11 (gate opening 25 mm)
 - Steel IKV 06 (gate opening 18 mm)



Length	Order No. (IKV 06)	Order No. (IKV 11)
1,00 m	45-IK6 FB 100 Y6	45-IK2 FB 100 Y2
1,50 m	45-IK6 FB 150 Y6	45-IK2 FB 150 Y2
1,75 m	45-IK6 FB 175 Y6	45-IK2 FB 175 Y2
2,00 m	45-IK6 FB 200 Y6	45-IK2 FB 200 Y2

Application:

For use in fall arrest systems

Areas of use:

Industry, scaffolding



Webbing Energy Absorbing Y Lanyard

according to EN 354:2010; EN 355:2002

- Energy absorbing element with 25 mm webbing lanyard, Y-Version
- Nominal load 65 - 136 kg
- Can be used up to -30° C
- Large double action hook IKV 55 (gate opening 61 mm)
- Connector variants at Energy Absorber:
 - Aluminium IKV 11 (gate opening 25 mm)
 - Steel IKV 06 (gate opening 18 mm)



Length	Order No. (IKV 06)	Order No. (IKV 11)
1,00 m	45-IK6 FB 100 Y3	45-IK2 FB 100 Y3
1,50 m	45-IK6 FB 150 Y3	45-IK2 FB 150 Y3
1,75 m	45-IK6 FB 175 Y3	45-IK2 FB 175 Y3
2,00 m	45-IK6 FB 200 Y3	45-IK2 FB 200 Y3

Application:

For use in fall arrest systems

Areas of use:

Industry, scaffolding





Kernmantle Rope Energy Absorbing Lanyard according to EN 354:2010; EN 355:2002

- Energy absorbing element with Ø 11 mm rope lanyard
- Nominal load 65 - 136 kg
- Can be used up to -30° C
- Connector variants at rope and Energy Absorber:
 - Aluminium IKV 11 (*gate opening 25 mm*)
 - Steel IKV 06 (*gate opening 18 mm*)



Length	Order No. (IKV 06)	Order No. (IKV 11)
1,00 m	45-IK6 FK 100 6	45-IK2 FK 100 2
1,50 m	45-IK6 FK 150 6	45-IK2 FK 150 2
1,75 m	45-IK6 FK 175 6	45-IK2 FK 175 2
2,00 m	45-IK6 FK 200 6	45-IK2 FK 200 2

Application:

For use in fall arrest systems

Areas of use:

Industry, scaffolding



Kernmantle Rope Energy Absorbing Lanyard according to EN 354:2010; EN 355:2002

- Energy absorbing element with Ø 11 mm rope lanyard
- Nominal load 65 - 136 kg
- Can be used up to -30° C
- Large double action hook IKV 55 (*gate opening 61 mm*)
- Connector variants at Energy Absorber:
 - Aluminium IKV 11 (*gate opening 25 mm*)
 - Steel IKV 06 (*gate opening 18 mm*)



Length	Order No. (IKV 06)	Order No. (IKV 11)
1,00 m	45-IK6 FK 100 3	45-IK2 FK 100 3
1,50 m	45-IK6 FK 150 3	45-IK2 FK 150 3
1,75 m	45-IK6 FK 175 3	45-IK2 FK 175 3
2,00 m	45-IK6 FK 200 3	45-IK2 FK 200 3

Application:

For use in fall arrest systems

Areas of use:

Industry, scaffolding



Kernmantle Rope Energy Absorbing Y Lanyard

according to EN 354:2010; EN 355:2002

- Energy absorbing element with Ø 11 mm rope lanyard, Y-Version
- Nominal load 65 - 136 kg
- Can be used up to -30° C
- Connector variants at rope and Energy Absorber:
 - Aluminium IKV 11 (gate opening 25 mm)
 - Steel IKV 06 (gate opening 18 mm)



Length	Order No. (IKV 06)	Order No. (IKV 11)
1,00 m	45-IK6 FK 100 Y6	45-IK2 FK 100 Y2
1,50 m	45-IK6 FK 150 Y6	45-IK2 FK 150 Y2
1,75 m	45-IK6 FK 175 Y6	45-IK2 FK 175 Y2
2,00 m	45-IK6 FK 200 Y6	45-IK2 FK 200 Y2

Application:

For use in fall arrest systems

Areas of use:

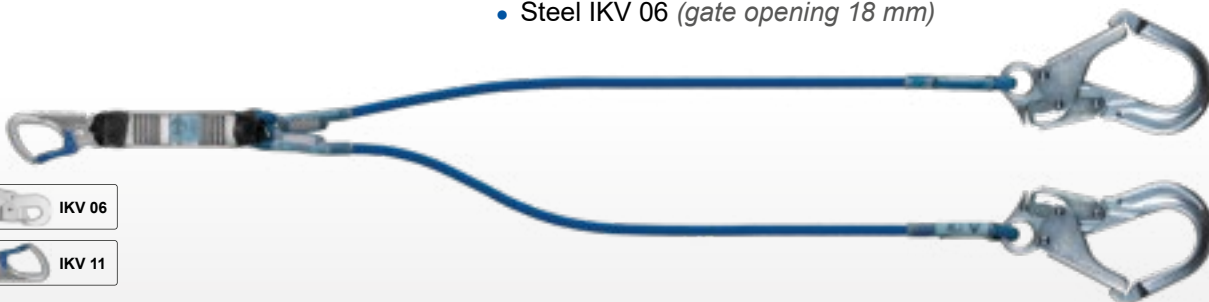
Industry, scaffolding



Kernmantle Rope Energy Absorbing Y Lanyard

according to EN 354:2010; EN 355:2002

- Energy absorbing element with Ø 11 mm rope lanyard, Y-Version
- Nominal load 65 - 136 kg
- Can be used up to -30° C
- Large double action hook IKV 55 (gate opening 61 mm)
- Connector variants at Energy Absorber:
 - Aluminium IKV 11 (gate opening 25 mm)
 - Steel IKV 06 (gate opening 18 mm)



Length	Order No. (IKV 06)	Order No. (IKV 11)
1,00 m	45-IK6 FK 100 Y3	45-IK2 FK 100 Y3
1,50 m	45-IK6 FK 150 Y3	45-IK2 FK 150 Y3
1,75 m	45-IK6 FK 175 Y3	45-IK2 FK 175 Y3
2,00 m	45-IK6 FK 200 Y3	45-IK2 FK 200 Y3

Application:

For use in fall arrest systems

Areas of use:

Industry, scaffolding





Guided Type Fall Arrest Device Type IK AG 01

according to EN 353-2:2002

- Ø 12 mm kernmantle lanyard with small steel double action hook IKV 06 with a 18 mm gate opening
- Rope grab device made from V2A stainless steel
- Tear-web energy absorber with small steel double action hook IKV 06
- Simple, very reliable mechanism / high functional safety
- Maintenance-free

Length	Order No	Nominal Load
5 m	45-IK6 AG1 500 6	65 - 136 kg
10 m	45-IK6 AG 1 1000 6	65 - 136 kg
15 m	45-IK6 AG1 1500 6	65 - 136 kg
20 m	45-IK6 AG1 2000 6	65 - 136 kg



Adjustable Work Positioning Lanyard

according to EN 358:2018

- Kernmantle lanyard Ø 12 mm with:
 - Aluminium double action hook IKV 11 (*gate opening 25 mm*)
 - Steel double action hook IKV 06 (*gate opening 18 mm*)
- Adjustable lanyard clamp IK SL 01
- Rope protection sleeve 0.5 m long

Length	Order No. (IKV 06)	Order No. (IKV 11)
1,00 m	45-IK30 WLK 100 6	45-IK30 WLK 100 2
1,50 m	45-IK30 WLK 150 6	45-IK30 WLK 150 2
1,75 m	45-IK30 WLK 175 6	45-IK30 WLK 175 2



Webbing Lanyard according to EN 354:2010

Lanyard as a component part of a fall arrest system or as a fall resistant attachment

- Lanyard made from 25 mm polyester webbing
- Carabiner hook and Ø 50 mm steel ring:
 - Trilock-steel carabiner IKV 30 (*gate opening 25 mm*)
 - Steel carabiner hook IKV 06 (*gate opening 18 mm*) **or**
- Carabiner hook on both ends:
 - Steel double action hook IKV 06 (*gate opening 18 mm*)
 - Large double action hook IKV 55 (*gate opening 61 mm*)

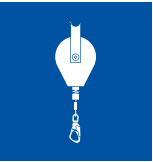
Length	Order No. (IKV 06)	Order No. (IKV 30)
0,40 m	45-IK6 B 40 R	45-IK30 B 40 R
0,50 m	45-IK6 B 50 R	45-IK30 B 50 R
0,50 m	45-IK6 B 50 3	





Safety. One step ahead.

Our wide range of RTFA's with the horizontal fall test over an edge, an integrated energy absorbing element that reduces the fall arrest forces to a minimum necessary for the application, with the shortest fall arrest distance and continuous quality provide the necessary flexibility for your work.



Retractable Type Fall Arrester

Superior through constructive safety technology

The innovative technology of IKAR retractable type fall arresters meets the requirements of fall protection systems for the future.

Low fall arrest forces and short arrest distances when used horizontally are the result of more than 43 years of experience in the development and production of IKAR retractable-type fall arrester technology - made in Germany.

Special Attachment

The rotatable Twinadapter TA 05 is specifically designed to connect IKAR full body harnesses with an attachment tunnel to an IKAR retractable-type fall arrester. This ensures a perfect connection without any uncomfortable 'dangling'."

Short and soft

The integrated energy-absorbing element (brake) ensures short arrest distances and lower fall arrest forces than specified in international standards.

Outstanding Durability

The retractable lanyard made of Dyneema is particularly resistant to chemical influences and weatherproof. This guarantees a long service life.



Retractable Type Fall Arrester



Universal Connection

The rotatable Twinadapter TA 04 is suitable for connection to every dorsal fall arrest eyelet of a full body harness.

The swivel prevents the lanyards from twisting while using, thus preventing malfunctions during the automatic retraction of the webbing.

Parking

The extended webbing enables retractable lanyards to be attached to the parking loops of full body harnesses without tension.

Attachment without any means

The robust scaffold hook are designed for direct attachment around construction parts with a diameter of <math><60\text{ mm}</math>.





IKAR – Pioneering as ever



For over 45 years, IKAR GmbH has been known for a manufacturer of Personal Protective Equipment against Falls, particularly in the field of retractable fall arresters (RTFAs), renowned for its innovative and high-quality products. Our primary focus has always been to ensure the highest level of safety for our users by consistently staying at the forefront of technological advancements and anticipating developments in this field.

Our motto is 'Safety ahead of the future,' and in line with this, we began the recertification of our products according to FprEN 360:2022 in early spring 2023 - a process we have successfully completed. During the revision of the technical regulations regarding the enhanced requirements for RTFAs, the following key innovations were at the forefront:



Design and Ergonomics

For the first time, retractable type fall arresters with two retractable lanyards (twin RTFAs) have been included, and specific requirements for these have been defined. Within this context, the integrated external extensions, which are the parts of the lanyard not retracted into the device, have been limited to a maximum length of 60 cm. The length is measured from the housing outlet to the endpoint of the connecting components. The maximum total length of twin RTFAs has been restricted to 2.5 meters.



Retraction Testing

To ensure that RTFAs function properly both in vertical and horizontal configurations, and are held tight through continuous retraction, it has been stipulated that the required retraction tension must be between 5 and 110 N, with a corresponding functional test defined.

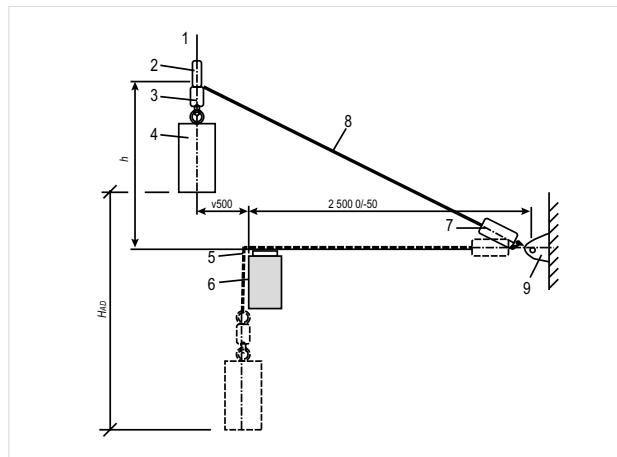
Furthermore, it is checked that even when RTFAs or twin RTFAs are worn on the back, the retractable lanyards are fully retracted, and any twisting is ruled out. Particular attention is paid to twin RTFAs, which must be designed in such a way that both retractable lanyards cannot twist together in a manner that could cause hindrance during retraction, potentially endangering the user's safety (e.g. "slack rope").



Expanded Dynamic Testing

To account for different areas of application and ensure the user's safety in all foreseeable situations, a series of new dynamic tests have been incorporated into FprEN 360:2022. These tests are conducted with a test mass equal to the maximum rated load as defined by the manufacturer, with the maximum impact force not exceeding 6 kN. As part of the "Dynamic Performance, Strength, and Integrity (Attachment at Foot Level, Horizontal Application)," the existing CNB/P/11.060 standard, which has been in place since 2007, has now been developed and integrated into the technical product standard FprEN 360:2022. These tests are conducted with a test mass equal to the maximum rated load as defined by the manufacturer to assess their robustness even when used in a horizontal orientation.

Schematic representation of dynamic performance and strength tests





Use of RTFAs and twin RTFAs in Mobile Elevating Work Platforms (MEWPs)



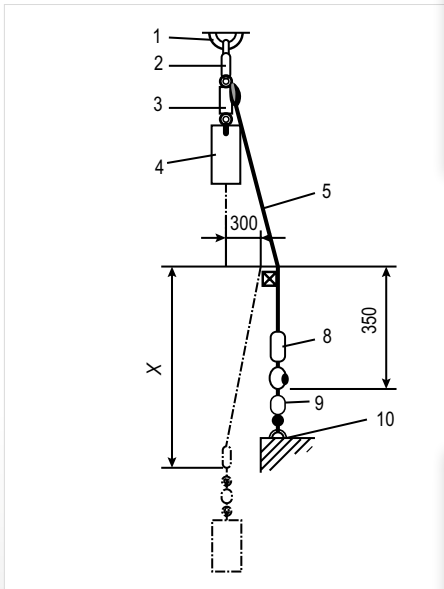
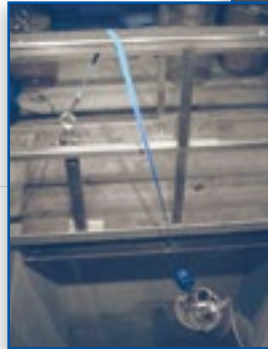
In 2017, minimum requirements for RTFAs and twin RTFAs used in MEWPs when the risk of catapulting and/or falling from heights exists, were established in Germany by DIN 19427:2017.



It is particularly noteworthy that these requirements have now been implemented at the European level in the new FprEN 360:2022. These RTFAs are intended for use with a reliable, marked anchorage point located no more than 0.75 meters above the platform floor.



Source: FprEN 360:2022



Retractable Type Fall Arrester

Flexible according to EN 360:2002 / FprEN 360:2022

Retractable Type Fall Arrester with Plastic or Aluminium Housings

Sturdy, low-maintenance height safety device with webbing or galvanized steel lifeline. Lightweight plastic or aluminium housing with a rotating swivel.

The swivel prevents twisting of the webbing or rope.



IKAR retractable type fall arresters work both in vertical and horizontal arrangement. All IKAR retractable type fall arresters have successfully passed the horizontal application test according to CNB/P/ 11.060 2008 sharp edge type A or FprEN 360:2022.



Order No.	Application Length	Webbing	Housing	Weight	Dimensions (mm)	Carabiner (mm)	
41-HWB 1,8	1,8 m	Webbing	Aluminium	0,7 kg	237 x 78 x 60	140	IKV 11
41-HWB 2	2,0 m	Webbing	Aluminium	0,9 kg	240 x 84 x 61	140	IKV 11
41-HWB 2 X	2,5 m	Webbing	Aluminium	1,1 kg	273 x 94 x 69	280	IKV 55
41-HWB 2,8	2,8 m	Webbing	Aluminium	1,2 kg	240 x 84 x 61	140	IKV 11
41-HWB 3,5	3,5 m	Webbing	Aluminium	1,6 kg	270 x 88 x 64	140	IKV 11
41-HWPB 3,5	3,5 m	Webbing	Plastic	1,5 kg	275 x 110 x 78	140	IKV 11
41-HWPB 5,5	5,5 m	Webbing	Plastic	1,7 kg	300 x 130 x 85	140	IKV 11
41-HWPB 7	7,0 m	Webbing	Plastic	2,0 kg	300 x 141 x 84	140	IKV 11
41-HWPB 9	9,0 m	Webbing	Plastic	2,8 kg	335 x 168 x 93	140	IKV 11
41-HWPB 12	12,0 m	Webbing	Plastic	3,8 kg	370 x 195 x 95	140	IKV 11
41-HWPB 15	15,0 m	Webbing	Plastic	5,4 kg	420 x 223 x 100	185	IKV 21
41-HWS 2,5	2,5 m	Steel Rope	Aluminium	1,5 kg	392 x 98 x 73	185	IKV 21
41-HWS 4,5	4,5 m	Steel Rope	Aluminium	2,5 kg	385 x 128 x 80	185	IKV 21
41-HWS 6	6,0 m	Steel Rope	Aluminium	3,0 kg	410 x 137 x 80	185	IKV 21
41-HWS 9	9,0 m	Steel Rope	Aluminium	3,9 kg	440 x 166 x 93	185	IKV 21
41-HWS 12	12,0 m	Steel Rope	Aluminium	5,3 kg	475 x 198 x 98	185	IKV 21
41-HWS 18	18,0 m	Steel Rope	Aluminium	7,4 kg	540 x 220 x 97	185	IKV 21
41-HWS 24	24,0 m	Steel Rope	Aluminium	9,8 kg	575 x 250 x 97	185	IKV 21
41-HWPS 3	3,0 m	Steel Rope	Plastic	1,8 kg	390 x 110 x 78	185	IKV 21
41-HWPS 4,5	4,5 m	Steel Rope	Plastic	2,1 kg	390 x 126 x 80	185	IKV 21
41-HWPS 6	6,0 m	Steel Rope	Plastic	2,7 kg	405 x 141 x 82	185	IKV 21
41-HWPS 9	9,0 m	Steel Rope	Plastic	3,5 kg	445 x 172 x 92	185	IKV 21
41-HWPS 12	12,0 m	Steel Rope	Plastic	4,7 kg	480 x 197 x 98	185	IKV 21
41-HWPS 18	18,0 m	Steel Rope	Plastic	6,3 kg	520 x 227 x 100	185	IKV 21
41-HWPS 24	24,0 m	Steel Rope	Plastic	8,8 kg	555 x 260 x 98	185	IKV 21





Flexible according to EN 360:2002 / FprEN 360:2022

Retractable type fall arresters for safe change of workspace



Sturdy, low-maintenance fall arresters with double swivel suspension for securing one person against falling. Specially developed for a permanent connection during the movement of the user in the working area.

The connection designs of the twin RTFAs, the double swivel adapters, are not obligations from the requirements for technical approval, but our commitment to the safety of our users.



TA 04



TA 05



IKAR Retractable Type Fall Arresters function in any location position and have been certified in a simulated fall trial over an edge, CNB/P/ 11.060 2008 sharp edge type A or FprEN 360:2022.



Order No.	Application Length	Weight	Dimensions (mm)	Carabiner (mm)	Twin
41-HWB 1,8 DW	2 x 1,8 m	Webbing	2,26 kg	290 x 155 x 60	140 IKV 11 TA 05
41-HWB 1,8 R DW	2 x 1,8 m	Webbing	3,42 kg	290 x 155 x 60	248 IKV 55 TA 05
41-HWB 2 DWG	2 x 2,5 m	Webbing	2,20 kg	425 x 170 x 67	248 IKV 55 TA 05
41-HWB 2 DWX	2 x 2,5 m	Webbing	2,20 kg	425 x 170 x 67	248 IKV 55 TA 04
41-HWB 2,8 DW	2 x 2,8 m	Webbing	2,50 kg	440 x 190 x 70	140 IKV 11 TA 05
41-HWB 2,8 R DW 55	2 x 2,8 m	Webbing	3,90 kg	603 x 190 x 70	248 IKV 55 TA 05
41-HWS 2,5 DW	2 x 2,5 m	Steelrope	3,20 kg	703 x 196 x 73	185 IKV 21 TA 05

Retractable Type Fall Arrester

ACB 1,8 and HWB 1,8

Retractable Type Fall Arrester tested and certified for the use in mobile elevating working platforms

according to EN 360:2002; CNB/P/ 11.060 2008 Typ A; DIN 19427:2017

The IKAR ACB 1.8 and HWB 1.8 fall arresters for securing a person in elevating work platforms are a milestone in the field of personal protective equipment against falls from a height. Tested and approved according to the highest standards for personal protective equipment against falls from a height.

The height safety devices are tested and approved for belaying in aerial work platforms. The lanyard is double edge tested. Innovative technology in the area of the integrated, energy-absorbing function ensures safe force transmission to the sensitive anchorage points of a mobile elevating work platform! The functional length is 1.8 m.

Also in combination with our double swivel suspension, the HWB 1,8 DW is tested and approved for securing a person in elevating work platforms. Especially for the secured change of workplaces by alternate slinging for a continuous protection against falling.



Application:

Arrest

Areas of use:

MEWPS, Scaffolding



Order No.	Application Length		Weight	Dimensions (mm)	Carabiner (mm)	
41-HWB 1,8	1,8 m	Webbing	0,70 kg	237 x 78 x 60	140	IKV 11
41-ACB 1,8	1,8 m	Webbing	0,96 kg	240 x 83 x 63	140	IKV 11
41-HWB 1,8 R DW 55	2 x 1,8 m	Webbing	2,26 kg	290 x 170 x 60	248	IKV 55





Robusto according to EN 360:2002

Robust Retractable Type Fall Arrester



Sturdy, low-maintenance Retractable Type Fall Arrester with galvanized steel or webbing as retractable lanyard. Version with aluminium housing or plastic housing, approved for vertical and horizontal use. Fall arresters available with steel rope or also with stainless steel rope.



IKAR Retractable Type Fall Arrester feature a very high safety standard and worldwide proven technology.



The IKAR Robusto retractable type fall arresters have successfully passed the horizontal application test CNB/P 11.060 2008 sharp edge type A up to device size H 33.

Order No.	Application Length	Rope	Housing	Weight	Dimensions (mm)	Carabiner (mm)	
41-H 12	12,0 m	Steel Rope	Aluminium	5,9 kg	450 x 195 x 90	185	IKV 21
41-H 18	18,0 m	Steel Rope	Aluminium	9,5 kg	550 x 240 x 100	185	IKV 21
41-H 24	24,0 m	Steel Rope	Aluminium	13,5 kg	630 x 275 x 110	185	IKV 21
41-H 33	30,0 m	Steel Rope	Aluminium	18,0 kg	640 x 320 x 120	185	IKV 21
41-H 42	40,0 m	Steel Rope	Aluminium	27,2 kg	750 x 370 x 120	185	IKV 21
41-H 65	60,0 m	Steel Rope	Aluminium	38,0 kg	780 x 390 x 150	185	IKV 21
41-HPS 6	6,0 m	Steel Rope	Plastic	3,0 kg	430 x 150 x 91	185	IKV 21
41-HPS 12	12,0 m	Steel Rope	Plastic	4,6 kg	470 x 190 x 114	185	IKV 21
41-HPS 18	18,0 m	Steel Rope	Plastic	6,7 kg	540 x 225 x 96	185	IKV 21



IKAR HRA. Always safely rescued.

The HRA series of IKAR safety and rescue devices is your proven, robust and safe partner for fall protection and rescue from the depths.



Retractable Type Fall Arrester with Rescue Hoisting Facility



One Device for Fall Protection and Rescue



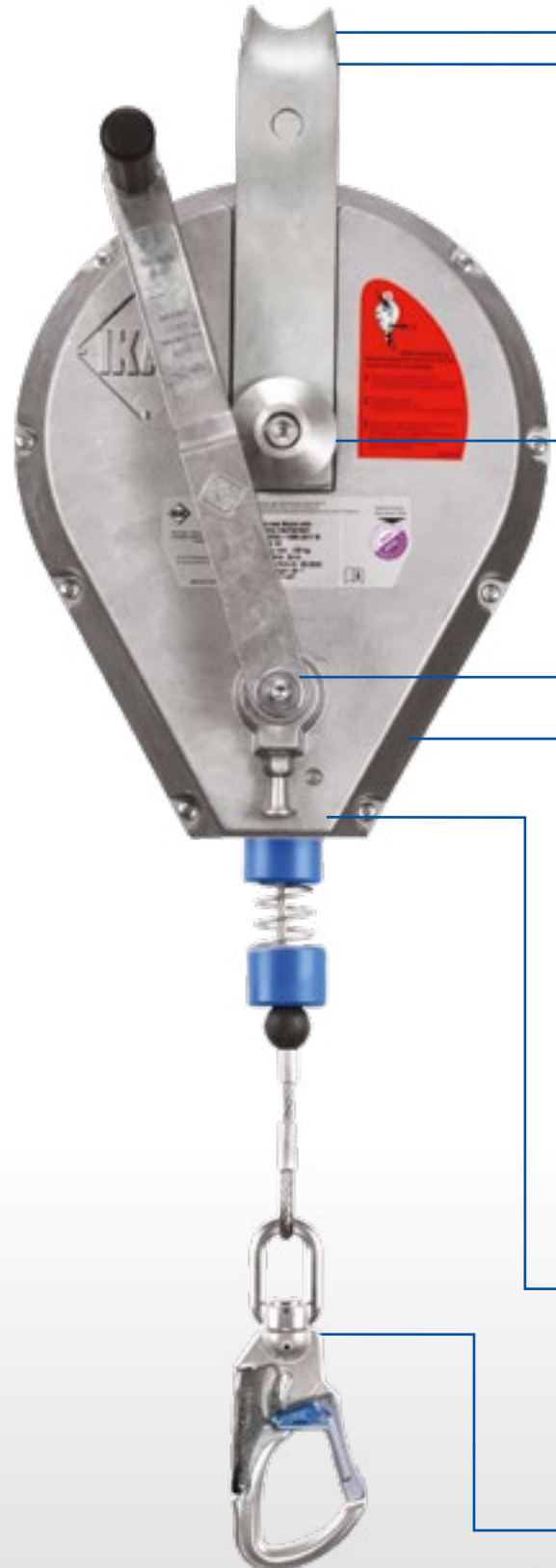
Access to confined spaces or wastewater facilities is no longer feasible without fall protection and rescue. The combination of fall protection and rescue, the IKAR HRA series, offers users the highest level of safety. An additional fall-absorbing function in the rescue lifting device is state of the art in IKAR HRA series.



IKAR fall arresters with rescue lifting device (type HRA) are equipped with a winch unit. This winch unit can be easily engaged by a second person in the event of a rescue after a fall, e.g. in the event of unconsciousness due to gases in shafts and ducts. In this way, the person involved in the accident can be rescued quickly and safely. The rescue lifting device has an integrated fall-absorbing function, as required by the European harmonized standard EN 1496. The unit is completely enclosed and has no wearing parts. All parts are made of stainless steel, aluminum or impact-resistant plastic. Different rope lengths mean that the right device is available for every application.



IKAR fall arresters with rescue lifting device and reel chain are the special alternative for every location. The reel chain allows a trouble-free use of the winch of the HRA device, even if the anchorage point of the device is located very high.



Safe connection

The handle for connecting the devices with reel chain drive to the upper attachment point is robustly designed, to withstand the stresses of a harsh working environment.

Connection with fixation

The handle and the conical washers fix the HRA unit in the IKAR holders / holding plates provided for this purpose. This reliably prevents the unit from turning around the vertical axis during the rescue.

Always Safe

The integrated energy absorbing function (brake) for fall protection and the additional integrated energy absorbing function (brake) in the rescue hoisting facility ensures safe rescue in every emergency situation, whether up or down.

Activation with one grip

The locking pin enables easy activation / locking of the rescue hoisting facility with just one grip.

Rescue without additional holding force

Option: HRA with chain wheel drive

The reel chain drive enables a rescue of an injured person from the depths with a minimum of exertion.

Safe Application

The connecting element has a fall indicator. During the user check, the user immediately recognizes that the device is no longer operational and needs to be serviced by a competent person.





HRA according to EN 360:2002; EN 1496:2017

Retractable Type Fall Arrester with rescue hoisting facility

The IKAR HRA fall arresters with rescue lifting device, is the combination of fall protection and rescue device.

These are robust, low-maintenance retractable type fall arresters with aluminium housing, which can be equipped with either galvanised steel rope, stainless steel rope or para aramid rope.

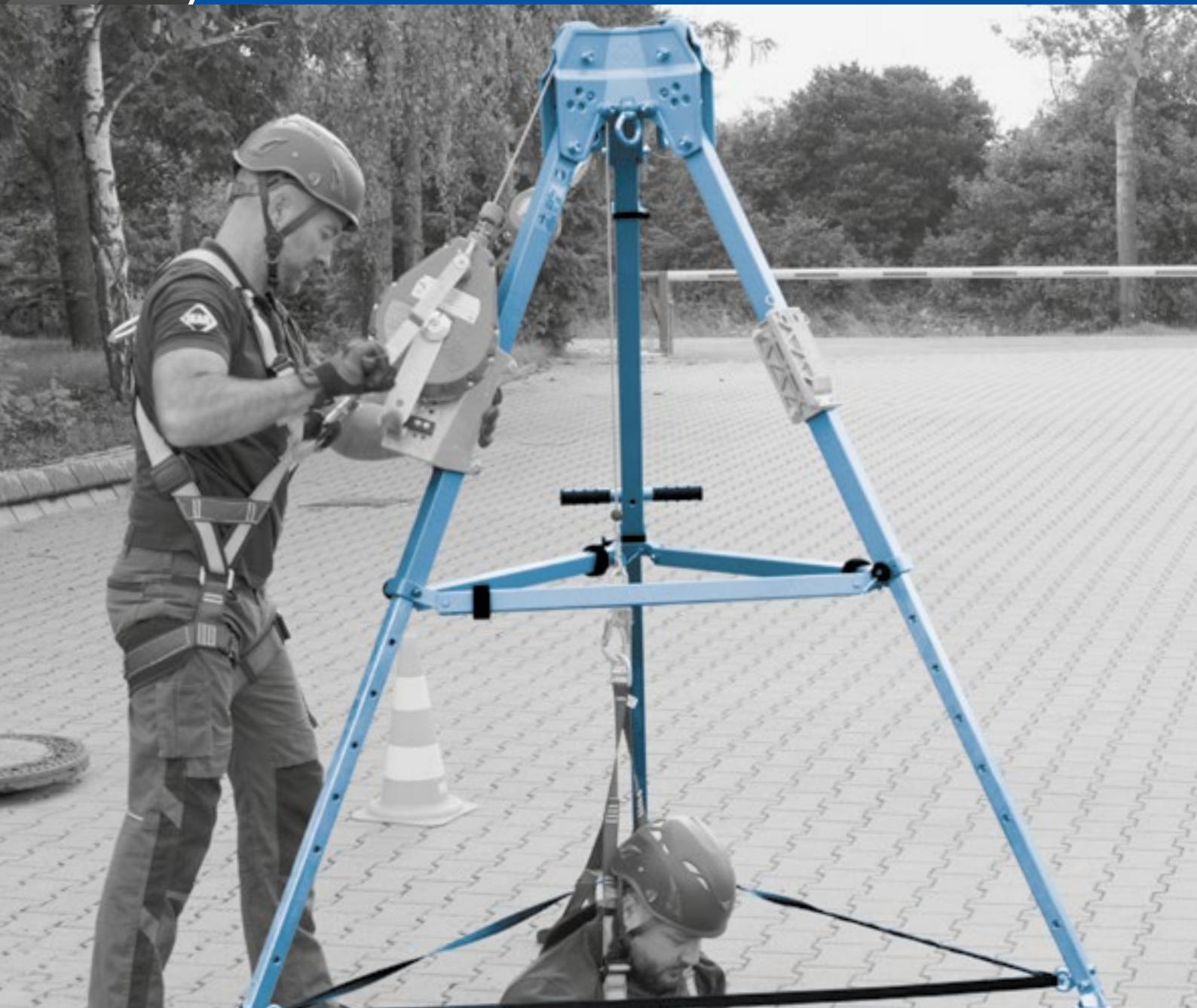
The maximum reel chain length is 3 m (6 m circumferential).



HRA Wall Bracket

Quick-release holder for walls for the mounting of all HRA devices from 9.5 - 33 m

Order No.	Application Length		Weight	Dimensions (mm)	Haken (mm)	
41-HRA 12	12,0 m	Steelrope	7,0 kg	450 x 195 x 180	185	IKV 21
41-HRA 18	18,0 m	Steelrope	11,5 kg	570 x 240 x 200	185	IKV 21
41-HRA 24	24,0 m	Steelrope	15,0 kg	630 x 275 x 220	185	IKV 21
41-HRA 33	30,0 m	Steelrope	17,6 kg	640 x 315 x 230	185	IKV 21
41-HRA 42	40,0 m	Steelrope	24,7 kg	740 x 370 x 235	185	IKV 21
41-HRA 65	60,0 m	Steelrope	43,0 kg	780 x 390 x 240	185	IKV 21
41-HRA 12 E	12,0 m	VA-Rope	7,0 kg	450 x 195 x 180	185	IKV 21
41-HRA 18 E	18,0 m	VA-Rope	11,5 kg	570 x 240 x 200	185	IKV 21
41-HRA 24 E	24,0 m	VA-Rope	16,0 kg	630 x 275 x 220	185	IKV 21
41-HRA 33 E	30,0 m	VA-Rope	17,0 kg	640 x 315 x 230	185	IKV 21
41-HRA 42 E	40,0 m	VA-Rope	23,0 kg	740 x 370 x 235	185	IKV 21
41-HRA 12 V	9,0 m	para Aramid	7,0 kg	450 x 195 x 180	185	IKV 21
41-HRA 18 V	15,0 m	para Aramid	10,1 kg	570 x 240 x 200	185	IKV 21
41-HRA 24 V	20,0 m	para Aramid	14,1 kg	630 x 275 x 220	185	IKV 21
41-HRA 12 Haspel	12,0 m	Steelrope	13,0 kg	450 x 195 x 253	185	IKV 21
41-HRA 18 Haspel	18,0 m	Steelrope	17,5 kg	570 x 240 x 273	185	IKV 21
41-HRA 24 Haspel	24,0 m	Steelrope	22,0 kg	630 x 275 x 293	185	IKV 21
41-HRA 33 Haspel	30,0 m	Steelrope	23,0 kg	640 x 315 x 303	185	IKV 21
41-HRA 12 E Haspel	12,0 m	VA-Rope	13,0 kg	450 x 195 x 253	185	IKV 21
41-HRA 18 E Haspel	18,0 m	VA-Rope	17,0 kg	570 x 240 x 273	185	IKV 21
41-HRA 24 E Haspel	24,0 m	VA-Rope	22,0 kg	630 x 275 x 293	185	IKV 21
41-HRA 33 E Haspel	30,0 m	VA-Rope	23,0 kg	640 x 315 x 303	185	IKV 21
41-54/WHG V4	bracket designed to fit IKAR HRA to a wall					



Work Safety. Easy and Simple.

Transportable anchorage devices are subject to special requirements: light construction and easy handling during assembly / dismantling and operation.





Tripods



Anchorage devices without compromise



The tripod series type DB-A not only meet the special requirements for transportable anchorage devices, but is also characterized by the high and robust quality standard of IKAR products. The ideal complement to the IKAR HRA devices.



Flexible Application Options

The locking pin enables a quick, triple-adjustable set-up diameter.

Fall protection for everyone involved

The additional anchor points are used to secure the safety post against falls or can be used to stabilise the tripod for special applications or at special locations.

Compensation for height differences

The individually telescopic legs enable the axial alignment of the anchorage device and are used for height compensation. Quickly usable due to the fixation with plug-in bolts.

No safety without Stability

The foldable, non-slip rubber feet ensure that the anchorage device stands securely.





Tripod DB-A2 / DB-A2 XL

anchorage device for PPE according to EN 795:2012 Type B and CEN/TS 16415:2013



- DB-A2 and DB-A2 XL approved for two persons
- Functional safety
- Height adjustable to almost double the height
- DB-A2, DB-A2 XL equipped with adjustable rubber feet for high stability on various surfaces
- Applicable with all HRA rescue equipment up to 40 m
- Stable due to solid construction
- Lightweight aluminum design
- High quality
- Can be equipped with accessories

Optional configurations:

- Personnel- and load winch PLW
- Mounting bracket for winch
- Suitable for HRA Height Safety Devices up to 40 m

Optional accessoires:

- Tripod Carrying and Protection Bag



Deflection Roller
for steel rope



Tripod Mounting Bracket
for HRA DB-A2 / DB-A2 XL

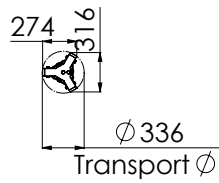
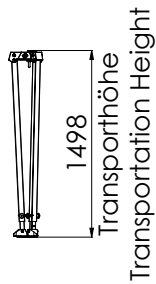


Order No.	Description	Weight
41-50	Tripod DB-A2	24,0 kg
41-50XL	Tripod DB-A2 XL	30,0 kg
41-54/9,5-30	Tripod Mounting Bracket for HRA Devices DB-A2 / DB-A2 XL	1,8 kg
41-z20	Deflection Roller for Ø 6 mm steel rope	1,1 kg

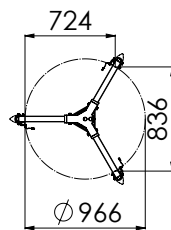
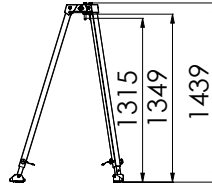
DB-A2

Dimensions

Transportstellung
Transportposition

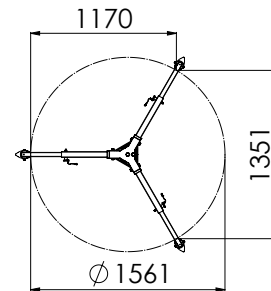
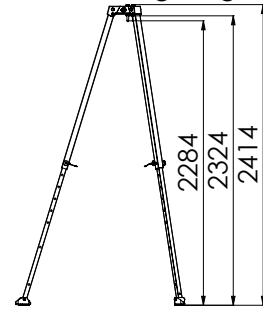


Min. Stellhöhe
Min. Setting Height



Min. Stell Ø
Min. Setting Ø

Max. Stellhöhe
Max. Setting Height

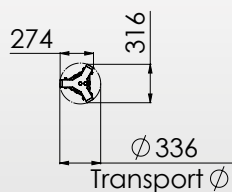
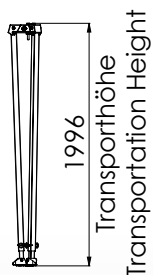


Max. Stell Ø
Max. Setting Ø

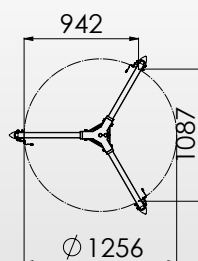
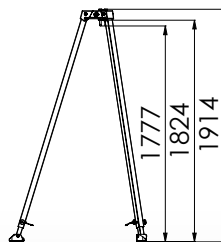
DB-A2 XL

Dimensions

Transportstellung
Transportposition

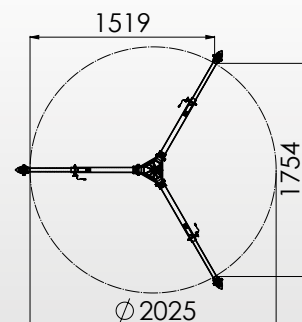
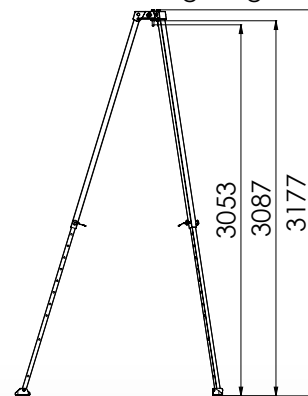


Min. Stellhöhe
Min. Setting Height



Min. Stell Ø
Min. Setting Ø

Max. Stellhöhe
Max. Setting Height



Max. Stell Ø
Max. Setting Ø





Tripod DB-A3 / DB-A3 XL

anchorage device for PPE according to EN 795:2012 Type B and CEN/TS 16415:2017



- Anchorage Device DB-A3 and DB-A3 XL for 2 persons
- High functional stability
- Height adjustable to almost double
- 3-way height adjustable and triple-adjustable set-up diameter
- At the head of each leg there are internal pulleys for ropes with a diameter of 4.8 mm - 11 mm
- Adjustable rubber feet
- High quality and reliability
- Aluminium construction



Optional configurations:

- Personnel- and load winch PLW
- Mounting bracket for winch
- Suitable for HRA Height Safety Devices up to 40 m



Optional accessoires:

- Tripod Carrying and Protection Bag



Tripod Mounting Bracket for HRA DB-A3 / DB-A3 XL



Order No.	Description	Weight
41-49	Tripod DB-A3	24,0 kg
41-49XL	Tripod DB-A3 XL	30,0 kg
41-49k	Tripod DB-A3 short	19,0 kg
41-54/12-42A3	Tripod Mounting Bracket for HRA Devices DB-A3 / DB-A3 XL	1,8 kg

DB-A3

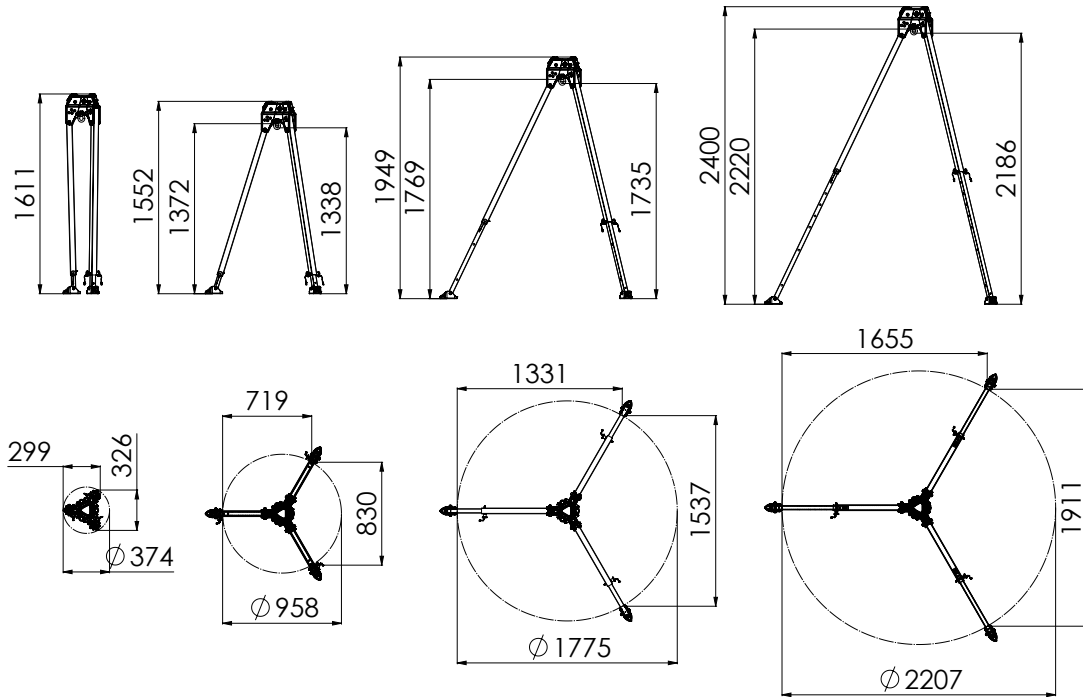
Dimensions

Transportstellung
Transportposition

Stellung 2
Position 2

Stellung 3
Position 3

Stellung 3 max.
Position 3 max.



DB-A3 XL

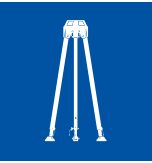
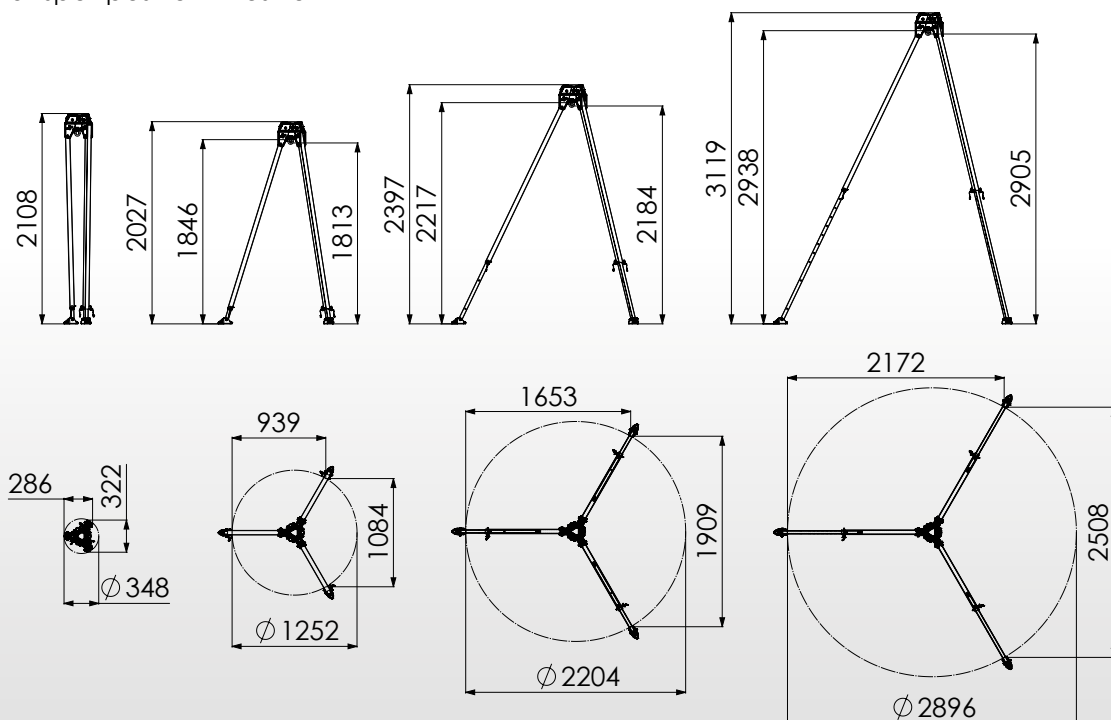
Dimensions

Transportstellung
Transportposition

Stellung 2
Position 2

Stellung 3
Position 3

Stellung 3 max.
Position 3 max.





Tripod DB-A3R

anchorage device for PPE according to EN 795:2012 Type B and CEN/TS 16415:2017



- Anchorage Device DB-A3R for 2 persons
- Braked rollers
- Internal pulleys in the three-beam head
- Struts for the optimization of the stability
- Drawbar for easy and ergonomic transfer to the new working place



Optional configurations:

- Personnel and load winch PLW, nominal load 300 kg
- Loads up to 300 kg with max. 20 m rope length
- Quick-change bracket for load winch
- HRA Height Safety Devices up to 40 m

Optional accessoires:

- Tripod Carrying and Protection Bag



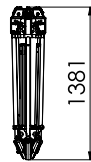
Tripod Mounting Bracket for HRA DB-A3R



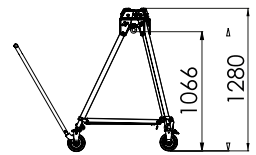
DB-A3R

Dimensions

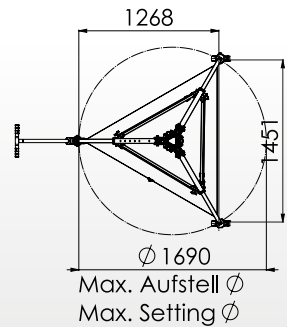
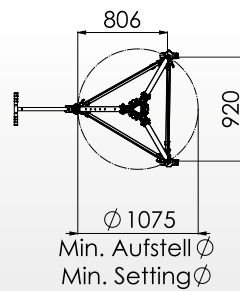
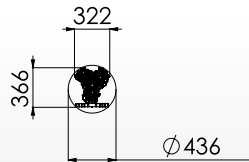
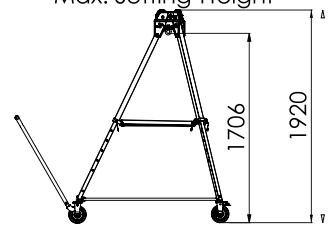
Transportstellung
Transportposition



Min. Stellhöhe
Min. Setting Height



Max. Stellhöhe
Max. Setting Height



Order No.	Description	Weight
41-52	Tripod DB-A3R	25,0 kg
41-54/12-42A3	Tripod Mounting Bracket for HRA Device DB-A3R	1,8 kg



Complexity and efficiency of use.

The implementation of complex rescue plans for accessing confined spaces and wastewater engineering facilities is possible with the new development of IKAR cantilever arms made of V4A.



Cantilever Arms



Fall Protection and Rescue without Safety issues



The IKAR cantilever arms have been specially developed for use with the IKAR retractable type fall arrester with rescue lifting device type HRA.



The IKAR cantilever arms type ASS also offer the possibility of fall protection for up to 3 persons at the same time.



Fall Protection and Rescue

The secured access is realised via the preinstalled HRA device. In case of emergency, fast, gentle and safe rescue by the security guard is ensured by means of the integrated rescue lift function of the device.



Concepts without safety issues

The anchor point for the 2nd person ensures the fall safety of the safety post during the use of the anchor device. In case of emergency, the integrated rescue function of the HRA ensures a quick rescue without the rescuer having to descend to the person involved in the accident.

Stability

The mounting point for the sleeves ensures solid stability. The integrated bearing enables the Cantilever arm to be turned without great effort under load.

Variability

The height adjustment allows the boom to be installed at different locations.

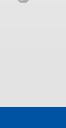
Stability without Compromise

Test load: 13,6 kN

Multi Complex

The anchor point for the 3rd person finalizes complex rescue concepts. The additional anchorage point for a third person enables complex rescue concepts.

Test load:
12 kN in the direction of load





Cantilever Arm ASS-1

Certified as an anchorage device for PPE in accordance with EN 795:2012 Type B and CEN/TS 16415:2017



- Especially developed for stationary use in safety and rescue cases for two persons as well as for lifting and lowering loads
- Variable fastenings via ground sleeve, wall sleeve and mobile sleeve
- Removable extension arm, adjustable height
- Suitable for fast relocation
- Can be used with HRA rescue devices
- V4A stainless steel design
- Solid, high quality construction
- Can be equipped with accessories

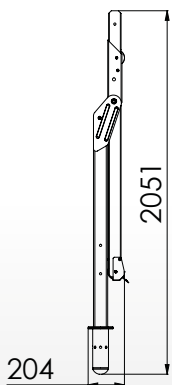


Optional equipment:

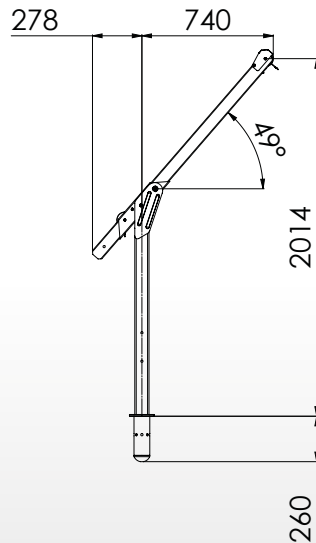
- HRA fall arrester with max. 40 m rope length
- PLW personal load winch
- IKLW 300 load winch



Transportstellung
Transportposition



Arbeitsstellung
Workingposition



Order No.	Description	Version	Weight
41-71	Cantilever arm ASS-1 without sleeve	V4A-stainless steel	36,0 kg

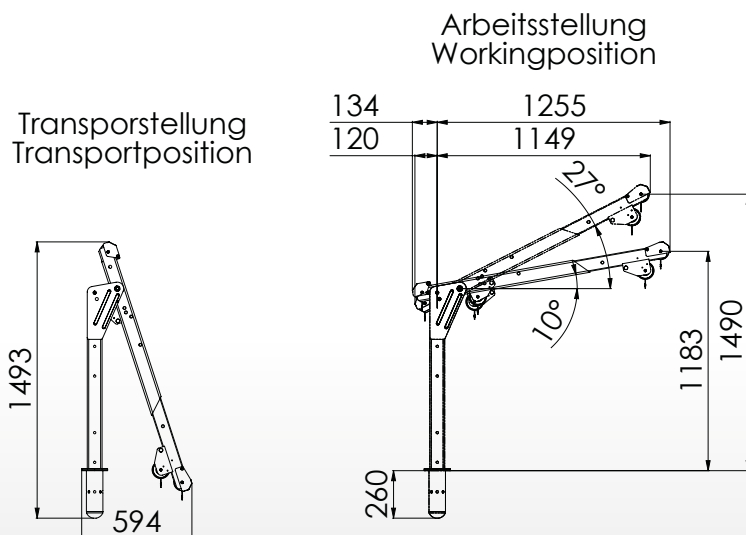
Cantilever Arm ASS-2

Certified as an anchorage device for PPE in accordance with EN 795:2012 Type B and CEN/TS 16415:2017

- Especially developed for stationary use in safety and rescue cases for two persons as well as for lifting and lowering loads
- Variable fastenings via ground sleeve
- Removable extension arm, adjustable height
- Suitable for fast relocation
- Can be used with HRA rescue devices
- Solid, high quality construction
- Can be equipped with accessories

Optional equipment:

- HRA fall arrester with max. 40 m rope length
- PLW personal load winch
- IKLW 300 load winch



Order No.	Description	Version	Weight
41-72	Cantilever arm ASS-2 without sleeve	V4A-stainless steel	39,0 kg





Cantilever Arm ASS-3

Certified as an anchorage device for PPE in accordance with EN 795:2012 Type B and CEN/TS 16415:2017

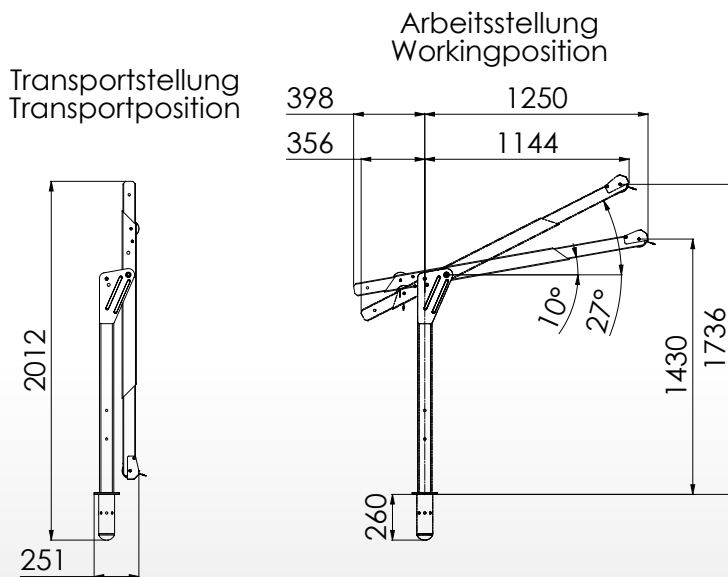


- Especially developed for stationary use in safety and rescue cases for three persons as well as for lifting and lowering loads
- Variable mounting options through floor sleeve, retractable floor or wall sleeve, mobile sleeve
- Removable extension arm
- Suitable for fast relocation
- Can be used with HRA rescue devices
- Solid, high quality construction
- Can be equipped with accessories



Optional equipment:

- HRA fall arrester with max. 40 m rope length
- PLW personal load winch
- IKLW 300 load winch



Order No.	Description	Version	Weight
41-73	Cantilever arm ASS-3 without sleeve	V4A-stainless steel	39,0 kg

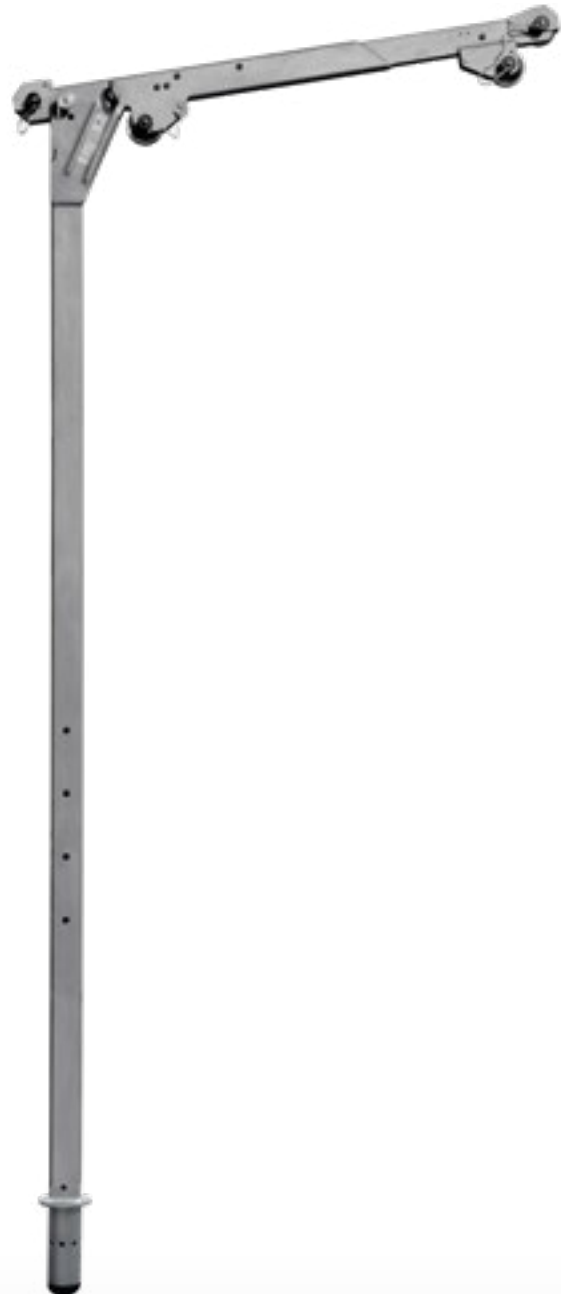
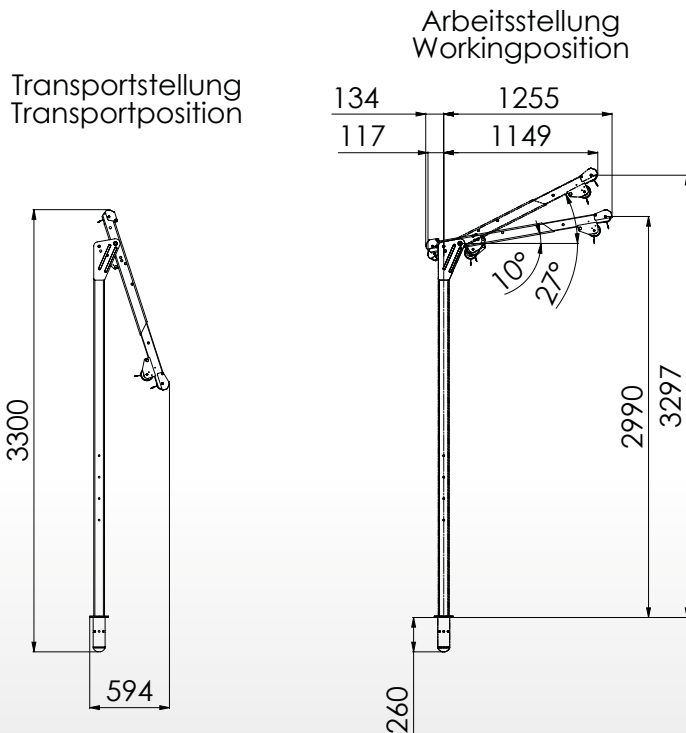
Cantilever Arm ASS-4

Certified as an anchorage device for PPE in accordance with EN 795:2012 Type B and CEN/TS 16415:2017

- Especially developed for stationary use in safety and rescue cases for two persons as well as for lifting and lowering loads
- Variable mounting options through floor sleeve or retractable floor sleeve
- Removable extension arm, adjustable height
- Suitable for fast relocation
- Can be used with HRA rescue devices
- Solid, high quality construction
- Can be equipped with accessories

Optional equipment:

- HRA fall arrester with max. 40 m rope length
- PLW personal load winch
- IKLW 300 load winch



Order No.	Description	Version	Weight
41-74	Cantilever arm ASS-4 without sleeve	V4A-stainless steel	65,0 kg



Brackets

for winches and HRA devices

**Winch bracket,
upper arm**
for ASS-1 / ASS-3

**HRA bracket,
lower arm**
for ASS-1 / ASS-3

**HRA bracket,
upper arm**
for ASS-1 / ASS-3

**Winch bracket,
lower arm**
for ASS-1 / ASS-3



Order No.	Description	Version	Position	Weight
41-54/AWSV4	Bracket for IKAR load winch, 300 kg/PLW	V4A-stainless steel	upper arm	1,0 kg
41-54/A9,5-24V4	Bracket for HRA Devices 9,5 - 24	V4A-stainless steel	lower arm	3,5 kg
41-54/A33-42V4	Bracket for HRA Devices 33 - 42	V4A-stainless steel	lower arm	5,0 kg
41-54/A50-65V4	Bracket for HRA Devices 50 - 65	V4A-stainless steel	lower arm	6,0 kg
41-54/AL 9,5-24V4	Bracket for HRA Devices 9,5 - 24	V4A-stainless steel	upper arm	4,5 kg
41-54/AL 33-42V4	Bracket for HRA Devices 33 - 42	V4A-stainless steel	upper arm	6,0 kg
41-54/AL 50-65V4	Bracket for HRA Devices 50 - 65	V4A-stainless steel	upper arm	7,0 kg
41-54/HLW1-4	Bracket for IKAR load winch, 300 kg/PLW	V4A-stainless steel	lower arm	2,2 kg

Ground Sleeve / Wall Sleeve WH

according to EN 795:2012 and CEN/TS 16415:2017

**Component of the attachment devices Cantilever arms
type AASS 1-4 / ASS 1-4**

- Rotary bearing made of resistant PA (polyamide)
- Locking bolts for fixing the boom arm position
- Can be mounted on structural facilities made from concrete using recommended injection anchoring systems



Order No.	Description	Version	Weight
41-57/1V4	Ground sleeve*	V4A-stainless steel	12,0 kg
41-57/2V4	Wall sleeve*	V4A-stainless steel	15,0 kg
41-57/2-50V4	Wall sleeve + 50 mm AASS/ASS*	V4A-stainless steel	17,0 kg
41-57/2-80V4	Wall sleeve + 80 mm AASS/ASS*	V4A-stainless steel	18,2 kg
41-57/7	Cover cap incl. Key for Cover cap	Plastic	0,5 kg
41-57/9a	Fixing set		
41-57/5wV4	Lower Ground Sleeve Core Hold*	V4A-stainless steel	12,0 kg

* without fixing material

Mobile Sleeve Compact (Spider)

according to EN 795:2012 and CEN/TS 16415:2017

Component of the attachment devices Cantilever arms type AASS 1 / ASS 1

- Specially developed for mobile use in safety and rescue operations
- Designed for access and rescue from confined spaces
- Pivotal and adjustable in case of lack of headroom
- Swivel range of the cantilever arm is 360°
With a max. load of 300 kg
- Approved for 2 persons



Order No.	Description	Version	Weight
41-67	mobile Cantilever system compact	V4A-stainless steel	106,0 kg



Mobile Clamping Sleeve

according to EN 795:2012 and CEN/TS 16415:2017

Component of the attachment devices Cantilever arms type AASS 1 / ASS 1

- Designed for tank edges or requent installations over different wall thicknesses
- Clamping width variable from 200 - 400 mm
- Ideal for work areas where frequent assembly and dismantling is required
- Approved for 2 persons
- The swivel range of the cantilever arm is 360°
with one maximum load of 300 kg



Order No.	Description	Version	Weight
41-69	mobile Clamping Sleeve	V4A-stainless steel	35,0 kg

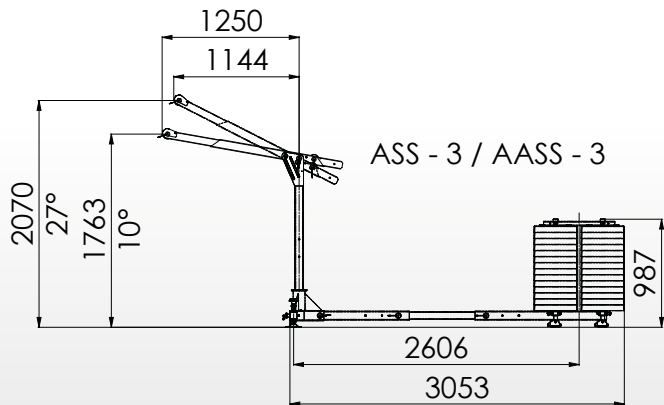
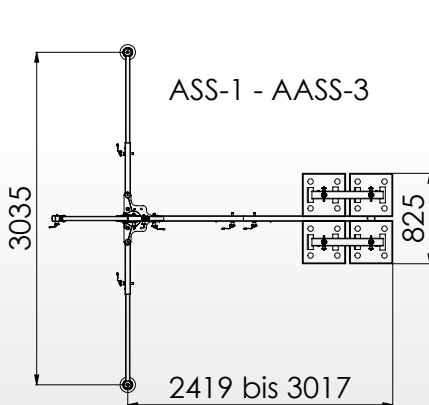
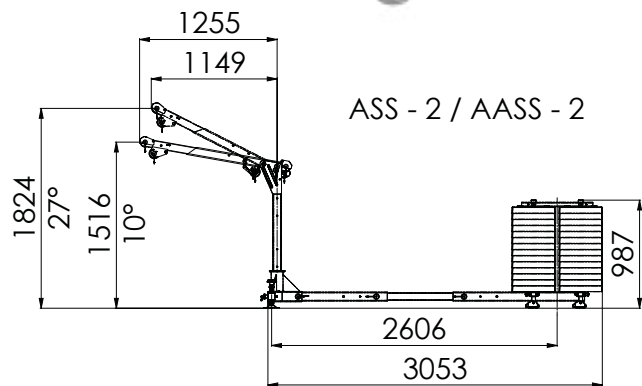
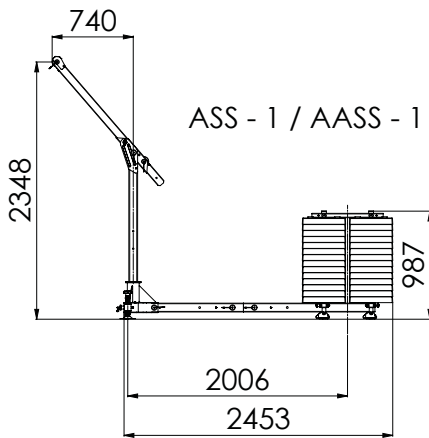




Counterweight Sleeve

for IKAR Cantilever arms as a complete system according to EN 795:2012 and CEN/TS 16415:2017

- Swivels and adjusts in case of lack of headroom
Ideal for work areas where frequent assembly and disassembly is required
- Min. required counterweights: 560 kg for max. outreach
- No single component heavier than 25 kg
- Compatible with IKAR cantilever arm ASS-1 to ASS-3, AASS-1 to AASS-3
- Boom arm swivel range is 360° with a max. load of 300 kg
- Approved for 2 persons



Order No.	Description	Version	Weight
41-68	Counterweight Sleeve for cantilever arms ASS/AASS 1-3	V4A-stainless steel	136,0 kg



Access Methods without the risk of a fall.

With the approved complete machine, driving over ladders or step irons with the resulting risk of falling and injury is a thing of the past.





Personnel and Load Winch

according to RL 2006/42/EG and EN 1808:2015



The PLW winch is a submachine and component for lifting and lowering persons and loads of the approved HPL complete machine for the access procedure without risk of falling in shafts, ducts and narrow spaces of sewage systems or industrial tanks. Access via ladder entrances or crampons and the associated risks of falling and injury are now a thing of the past. The PLW can also be combined with IKAR tripods, catilever arms and HRA devices of the new generation to complete our machine type HPL according to RL 2006/42 / EG.

IKAR Personnel and Load Winch

- Hand crank cable winch for easy and jerk-free lifting and lowering of persons and goods
- Maximum nominal load: 300 kg
- Stainless steel rope with Ø 6 mm (minimum breaking force 18,76 kN)
- Cable length max. 30 m
- Crank length 250 mm
- Compatible with IKAR - tripods and catilever arms

Order No.	Cable Length	Nominal Load	Dimensions (mm)	Weight
41-PLW-DA	max. 30 m	300 kg	230 x 336 x 200	18,5 kg

Lifting Devices for persons and loads (HPL)

according to RL 2006/42/EG and EN 1808:2015



The lifting device for persons and loads of type IKAR HPL consists of a suspension construction in the form of a mobile aluminium tripod or a stainless steel cantilever arm. The IKAR PLW winch, as well as the IKAR HRA safety device, is attached to the special mounting points of the suspension structures by means of a quick change mount.

Lifting Devices for persons and loads (HPL) with

- Suspension construction IKAR tripods or suspension construction IKAR cantilever arms
- PLW personnel and load winch
- Rescue device IKAR HRA
- Harness type IK G 4

Application:

entering of shafts, ducts, confined spaces

Areas of use:

Sewage engineering and entering container (tanks)





Lifting Devices for Loads (HL)

according to RL 2006/42/EG



The lifting device for loads of type IKAR HL consists of a suspension construction in the form of a mobile aluminum tripod or a stainless steel cantilever arm of type IKAR ASS or AASS. The IKAR load winch, 300 kg is attached to the special mounting points of the suspension structures by means of a quick-change bracket.

Lifting Device for Loads with

- Suspension construction IKAR Tripods or suspension construction for IKAR cantilever arms
- IKAR load winch, 300 kg

Application:

Load transport from the depths

Areas of use:

Sewage engineering and entering container (tanks)

Tripod Mounting Bracket

for IKAR load winch, 300 kg

For quick mounting and removal of the winch to any IKAR tripod

- Aluminium construction
- Max. Load: 300 kg
- Bracket can be fixed to the tripod
- Including Fixing Material
- Winch does not have to be screwed to the bracket



Order No.	Description	Material	Weight
41-54a/DWS	Tripod Mounting Bracket	Aluminium	1,6 kg

IKAR load winch, 300 kg

- The hand-crank rope winch is particularly suitable for easy and jolt-free lifting and lowering of diverse loads
- Maximum nominal load is 300 kg
- Galvanized steel rope Ø 6 mm
- Rope length max. 20 m



Order No.	Description	Material	Weight
41-IKLW 300	IKAR load winch, 300 kg	Galvanized steel	7,0 kg





Cantilever Arm bracket

for IKAR PLW

For quick mounting and removal of the winch to any IKAR Cantilever Arm (upper arm).

- Aluminium construction
- Max. Load: 300 kg
- Winch will be fixed to the bracket
- Including Fixing Material



Order No.	Description	Material	Position	Weight
41-54/AWSV4	Winch bracket	V4A-stainless steel	upper arm	1,0 kg



Tripod Mounting Bracket

for IKAR PLW

For quick mounting and removal of the winch to any IKAR tripod.

- Aluminium construction
- Max. Load: 300 kg
- Bracket is fixed to the tripod
- Including Fixing Material



Order No.	Description	Material	Weight
41-54a/DWS	Tripod Mounting Bracket	Aluminium	1,6 kg



Exemplary performance relieves the employee.

IKAR Controlled Descent Devices are the ideal partner for actively rescuing 2 people or for evacuating several people and for training.



Controlled Descent Devices



Descent and Rescue Technique for your Safety



The evaluation and selection of rescue technology includes not only the one-time rescue emergency, but also the safe performance of rescue exercises.

Users benefit from a comprehensive protection concept with the centrifugally controlled rescue technique.



Automatic Safety

The centrifugal brake system automatically regulates the descent speed to 1.2 m/s.



Stability

The IKAR kernmantle rope KMS 105 is specially designed to meet the requirements of the IKAR centrifugal force-controlled rescue technology.



Application Safety

The ball-bearing swivel enables the device to be rotated easily, even under load.

Easy Lifting with backstop

Version with Wheel:

The lifting of injured persons with the hand wheel with a transmission ratio of 1:10 can be done effortlessly.

The switchable backstop prevents the person from being lowered unintentionally if the hand-wheel is released.



Safe Lifting

Speedlift:

Fast, manual lifting of persons is possible intuitively, safely and efficiently by means of the safety lift ratchets via the direct lift drive.

When the safety lift ratchets are released, the connection to the load line is immediately disconnected (no touch, no function). This reliably excludes the possibility of the lifting ratchets kicking back.



Rescue without effort

Powerlift:

The AKKU drive for lifting heights for up to 200 m guarantees fatigue-free lifting of injured persons.



Controlled Descent Device Favorit

ABS 3a W and ABS 3a WH

according to EN 341:2011/1A resp. 1B; EN 1496:2017/A; ANSI/ASSE Z359.4-2013

ABS 3a W is designed for the rescue of 1 - 2 persons simultaneously. The outstanding braking system allows controlled and effort-saving abseiling, reduces pressure on the brakes and abrasion on the lanyard.



The controlled descent device ABS 3a WH with rescue hoisting facility utilises an integrated lifting facility with switchable reverse lock and is therefore the ideal device for self-rescue or the third party rescue of persons suspended in their personal fall protection equipment following an arrested fall.



	ABS 3a W		ABS 3a WH	
	EN 341:2011/1A ANSI/ASSE Z359.4-2013	EN 341:2011/1B	EN 341:2011/1A EN 1496:2017/A ANSI/ASSE Z359.4-2013	EN 341:2011/1B EN 1496:2017/A
Standard				
Nominal load	140 kg	200 kg	140 kg	200 kg
Descent metres	5.600	800	5.600	800
Minimum load	50 kg	50 kg	50 kg	50 kg
Descent metres	15.200	15.200	15.200	15.200
Lifting nominal load	--	--	140 kg	200 kg
Nominal load ANSI/ASSE	282 kg	--	282 kg	--
Minimum load ANSI/ASSE	59 kg	--	59 kg	--
Static proofload	20 kN	20 kN	20 kN	20 kN
Persons	1	2	1	2
Descent speed	1,5 m/s	1,5 m/s	1,5 m/s	1,5 m/s
max. lifting capacity	--	--	200 m	200 m

Order No.	Suspension	Weight	Dimensions (mm)	Function
42-ABS 3a W 2P	Swivel	1,2 kg	160 x 90 x 70	Descending
42-ABS 3a WH 2P	Swivel	1,9 kg	200 x 200 x 120	Descending

Order No.	Dimension	Weight	Rope Suspension	Function
KMS 105-X	Ø 10,5 mm	70 g/m	up to 20 m, carabiner on both sides	Lowering rope
KMS 105	Ø 10,5 mm	70 g/m	Per metre additionally	Lowering rope

Controlled Descent Device Favorit

ABS 3a WH Speedlift and Powerlift

according to EN 341:2011/1A resp. 1B; EN 1496:2017/A

ABS 3a WH SpeedLift

ABS 3a WH SpeedLift stands for innovation, speed and, above all, safety. The device enables fast lifting of 2 persons due to its direct drive and is equipped with safety lifting ratchets. The "no touch, no function" mechanism gives the user full control over the activation or deactivation of the lifting function, a kickback of the ratchets is impossible.

- Directional points to increase rappelling comfort when lowering at the housing of the unit
- Swivel with ball-bearing
- Switchable reverse lock
- Lowering rope KMS 105 EN 1891:1991 A



ABS 3a WH PowerLift

The combination of our powerful descender ABS 3a WH and the cordless screwdriver with an 8.0 Ah battery, enables a power-saving maximum lifting capacity up to 200 m. The loss protection is established via a magnetic connection between the cordless screwdriver and the ABS 3a WH PowerLift, thus ensuring maximum safety for the user.

- Cordless screwdriver
- Charger, torque multiplier, handle
- One battery for max. 107 m hoist
- Lifting speed freely selectable
- Lowering rope KMS 105 EN 1891:1991 A



Order No.	Suspension	Weight	Dimensions (mm)	Function
42-ABS 3a WH SpeedLift	Swivel	3,3 kg	495 x 140 x 120	Descending / Lifting
42-ABS 3a WH PowerLift	Swivel	2,1 kg	220 x 200 x 120	Descending / Lifting
Battery operated driver	Hexagon nuts	3,0 kg	-	Drive

Order No.	Dimension	Weight	Rope Suspension	Function
KMS 105-X	Ø 10,5 mm	70 g/m	up to 20 m, carabiner on both sides	Lowering rope
KMS 105	Ø 10,5 mm	70 g/m	per metre additionally	Lowering rope



Controlled Descent Device Bison

ABS 4 W and ABS 4 WH

according to EN 341:2011/1A; EN 1496:2017/A; ANSI/ASSE Z359.4-2013

The controlled descent device Bison ABS 4 W is the revolution in the field of performance and quality in relation to the current worldwide safety standards for rescue technology with automatic speed regulation.

The centrifugal brakes keep the speed constant during the entire abseiling process and thus enable a fast and safe evacuation of 2 persons at the same time. In addition, the abseiling speed can be controlled manually using the deflection points and the rope guide groove provided on the device. The ABS 4 W Bison is excellently suited for use in pendulum mode.

That is why the Bison ABS 4 W is the ideal partner for active self-rescue or for evacuation measures of several people as well as for training measures.



The ABS 4 WH has an integrated lifting device with switchable backstop and is therefore the ideal device for self-rescue or external rescue of persons who, after a fall, have been caught in their personal fall protection equipment.

	ABS 4 W	ABS 4 WH
Standard	EN 341:2011/1A ANSI/ASSE Z359.4-2013	EN 341:2011/1A EN 1496:2017/A ANSI/ASSE Z359.4-2013
Nominal load	200 kg	200 kg
Descent metres	3.800	3.800
Minimum load	50 kg	50 kg
Descent metres	11.000	11.000
Lifting nominal load	--	200 kg
Nominal load ANSI/ASSE	282 kg	282 kg
Minimum load ANSI/ASSE	59 kg	59 kg
Static proofload	20 kN	20 kN
Persons	2	2
Descent speed	1,5 m/s	1,5 m/s
max. lifting capacity	--	200 m

Order No.	Suspension	Weight	Dimensions (mm)	Function
42-ABS 4 W	Swivel	1,7 kg	250 x 97 x 79	Descending
42-ABS 4 WH	Swivel	3,2 kg	250 x 200 x 128	Descending / Lifting

Order No.	Dimension	Weight	Rope Suspension	Function
KMS 105-X	Ø 10,5 mm	70 g/m	up to 20 m, carabiner on both sides	Lowering rope
KMS 105	Ø 10,5 mm	70 g/m	Per metre additionally	Lowering rope

Controlled Descent Device Bison

ABS 4 WH Speedlift and Powerlift

according to EN 341:2011/1A; EN 1496:2017/A

ABS 4 WH SpeedLift

The "no touch, no function" mechanism gives the user a high degree of control over the activation or deactivation of the lifting function. The new safety lift ratchet handles of the IKAR ABS 4 WH SpeedLift are the best choice for the users.

- Safety ratchet drive (no touch no, function)
- Deviation points on the housing of the device
- Swivel with ball-bearing
- Switchable reverse lock
- Lowering rope KMS 105 EN 1891:1991 A



ABS 4 WH PowerLift

The combination of our powerful Descent device ABS 4 WH and the battery-operated driver with an 8.0 Ah battery, allows a maximum lifting capacity of 200 m. The connection between the battery-operated driver and the ABS 4 WH PowerLift is given by a magnetic connection which ensure the maximum safety if the user.

- Cordless screwdriver
- Charger, torque multiplier, handle
- One battery for max. 107 m hoist
- Lifting speed freely selectable
- Lowering rope KMS 105 EN 1891:1991 A



Order No.	Suspension	Weight	Dimensions (mm)	Function
42-ABS 4 WH SpeedLift	Swivel	3,7 kg	495 x 140 x 120	Descending / Lifting
42-ABS 4 WH PowerLift	Swivel	3,2 kg	200 x 200 x 120	Descending / Lifting
Battery operated driver	Hexagon nuts	3,0 kg	-	Drive

Order No.	Dimension	Weight	Rope Suspension	Function
KMS 105-X	Ø 10,5 mm	70 g/m	up to 20 m, carabiner on both sides	Lowering rope
KMS 105	Ø 10,5 mm	70 g/m	per metre additionally	Lowering rope





HAS

Fall Arrester with automatic controlled descent

according to EN 341:2011/1C; EN 360:2002



The IKAR HAS abseil rescue devices are used for fall protection of persons on high workplaces, where a rescue of persons by other employees is not possible or an escape rescue (danger due to fire or deflagration) of persons is necessary e.g. during loading activities on tank or tank wagons, or work platform, if the rescue route downwards is free of obstacles.

During the working movement, the person can move freely in the pull-in and pull-out area of the device without working against a braking resistance. Thus, no wear is generated on the brake.

In the event of a fall, pawls engage in the gearbox, which is connected to the centrifugal brake. Now the person is safely roped down. In the event of danger, the person can escape from the danger zone by jumping into the device and is safely rappelled down.

The snap hook with fall indicator on the lanyard of the device shows the user whether the device has been loaded by a fall and must be checked.



- Nominal load: 136 kg
- Proof load EN 341: 170 kg
- 0,5 m/s max. descent speed
- Certified for 1 person
- Aluminium housing
- Ø 4.8 mm steel rope / galvanized steel cable
- 185 mm carabiner hook (IKV 21)

Application:

Arrest, rescue

Areas of use:

Industry

Order No.	Application Length	Weight	Nominal Load	Dimensions (mm)
42-HAS 9	9,00 m steelrope	5,0 kg	136 kg	455 x 160 x 120
42-HAS 18	18,00 m steelrope	11,0 kg	136 kg	580 x 232 x 135
42-HAS 30	30,00 m steelrope	17,0 kg	136 kg	610 x 280 x 140
42-HAS 9 E	9,00 m VA-rope	5,0 kg	136 kg	455 x 160 x 120
42-HAS 18 E	18,00 m VA-rope	11,0 kg	136 kg	580 x 232 x 135

Vacuum Packaging System for IKAR rescue and evacuation systems ABS 3 / ABS 4

Complete long-term storage and transport packaging of the rescue and evacuation systems prepared for ABS 3a WH/W or ABS 4 WH/W with all necessary accessories.

- A choice of a sealed high quality hard case, waterproof bag or aluminum box is available
- The contents are packed in a vacuum-sealed plastic bag with a moisture indicator and is therefore extremely long term protected
- Resistant to external environmental influences
- Content is maintenance free for 10 years



Application:

Rescue, abseiling

Areas of use:

Industry, Wind turbines, cable cars



Order No.	Application Length	Weight*	Housing	Dimensions (mm)
41-KSET/z61*	bis 50 m KMS 105	12,0 kg	Plastic	555 x 428 x 211
41-KSET/z62*	50 - 150 m KMS 105	23,0 kg	Plastic	687 x 528 x 276
41-KSET/z63*	150 - 200 m KMS 105	28,0 kg	Plastic	687 x 528 x 366
41-BSET	bis 200 m KMS 105	1,3 kg	Plastic	1100 x 500
41-ASET	bis 200 m KMS 105	4,6 kg	Aluminium	775 x 385 x 375

* Pos. 1-3: Weight specifications refer to the respective equipment with max. rope lengths of 50, 150 and 200 meters.





PPE-Backpack

Ideal for storing and transporting PPE materials

The backpack is made from sturdy and dirt-repellent nylon material, equipped with splash-proof zips. It is the perfect partner for every user of PPE.

External features:

Stowable padded backpack straps, adjustment metal buckles, carry handle with carabiner loop for rope transport, Velcro label, bottom protection studs.

Internal features:

8 pockets, carabiner-/material-/ rope straps, 4 straps with buckles for material fixation. Measurements: 70 x 30 x 17 cm



Order No.	Colour
40-60	blue



Abseiling gloves

Safe grip and perfect hand protection

Special abseiling gloves suitable for abseiling, rescue and rescue from heights.

- Extremely durable synthetic leather sewn with Kevlar threads
- All-round wrist support for perfect fixation on the wrist
- Padded ankle protection
- Abrasion-reinforced fingertips
- Washable and breathable
- Weight: ca. 130 g



Order No.	Size
46-RRH-S	S
46-RRH-M	M
46-RRH-L	L

Order No.	Size
46-RRH-XL	XL
46-RRH-XXL	XXL

Deflection Roller for Kernmantle Rope

Deflection with minimized frictional resistance

Stable, smooth running pulley for ropes up to \varnothing 10,5 mm in a corrosion-resistant version

- Maximum load of 18 kN
- Weight approx. 0,2 kg



Order No.	max. Load	Weight
46-Z13	max. 18 kN	200 g

Edge Protector

Safe rope route over edges

- Sturdy, corrosion-resistant stainless steel design
- Guided rope protection for ropes guided over edges
- Loss protection due to permanently attached, plastic-coated steel safety rope with snap hook, \varnothing 3 mm x 1.5 m length



Order No.	Dimensions (mm)	Weight
42-Z3	150 x 120 x 3	1,0 kg





Safety Helmet

according to EN 397



This high-tech helmet was designed for professional work. It is lightweight, durable, compact and well ventilated. The chin strap with 4 attachment points ensures for high wearing comfort.



- Available in 8 colours
- Suitable for head lights and the fitting of a visor
- 2 visor variants (not included)
- Adjustable sizes 51 – 62 cm
- Weight: 390 g



Order No.	Colour
46-Helm-WE	white
46-Helm-HE	light blue
46-Helm-GR	green
46-Helm-GE	yellow
46-Visier-TR	transparent

Order No.	Colour
46-Helm-BL	blue
46-Helm-RO	red
46-Helm-OR	orange
46-Helm-DG	dark green
46-Visier-SM	tinted



Rescue Clamp Type BK and DK

according to CNB/P/11.115 Rev.01 (E):2015-09-24



The IKAR rescue clamps BK and DK are used exclusively for the rescue of a person who is suspended from a personal fall system, when the rescuer cannot connect the rescue device directly to the person. The rescue clamps are approved for 1 person.



- Enables unhindered lifting and lowering of the person to be rescued
- Easy and fast handling
- max. permissible load: 136 kg, minimum load: 50 kg
- Suitable only for:
 - IKAR webbing 19 mm - 25 mm
 - KAR steel and stainless steel ropes of \varnothing 4,8 mm diameter



Order No.	Length	Width	Height	Weight	Load Capacity (mind. / max.)
41-DK	85 mm	25 mm	65 mm	180 g	50 kg / 136 kg
41-BK	100 mm	45 mm	76 mm	340 g	50 kg / 136 kg

Telescopic Remote Reach Rescue Pole

for attaching the rescue rope to an injured person

Up to 3.60 m extendable aluminum telescopic pole fitted with carabiner holder at the top end, can only be used in conjunction with an IKAR IKV 11 or an IKV 47 carabiner attached to IKAR Ø 10.5 mm kernmantle rope.

- Suitable for the use with ABS 3 and ABS 4
- Minimum length: 80 cm
- Weight: 510 g



Order No.	Description
41-z19	Telescopic Rescue Pole

Order No.	Description
40-57	Protective bag, blue

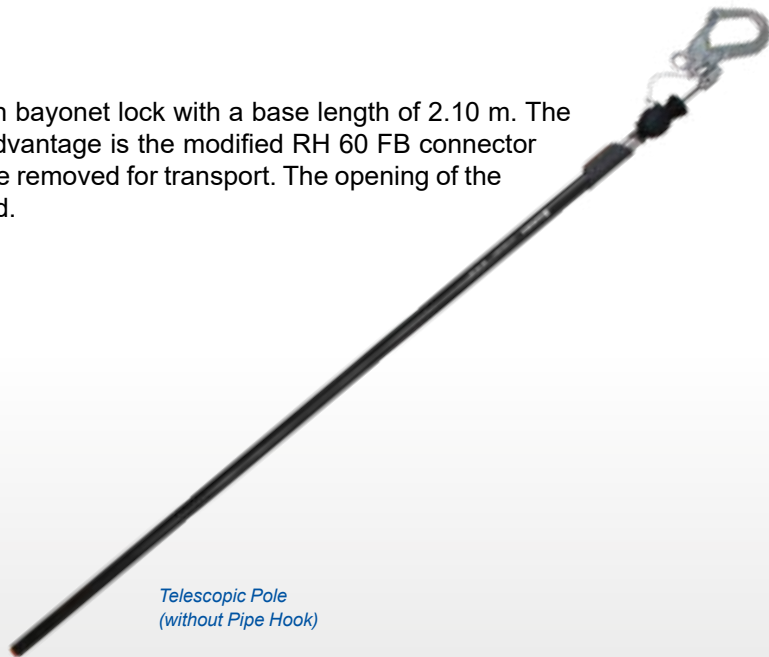
Telescopic Pole

for fixing a temporary attaching point

Very stable extendable aluminium pole with bayonet lock with a base length of 2.10 m. The maximum extension length is 3.90 m. An advantage is the modified RH 60 FB connector with an opening gate of 60 mm, which can be removed for transport. The opening of the pipe hook is done by the integrated pull cord.



Pipe Hook RH60 FB
with 5 m draw string



Telescopic Pole
(without Pipe Hook)

Order No.	Description
RH60FB	Pipe Hook

Order No.	Description
Teleskop	Telescopic Pole





T-Bar

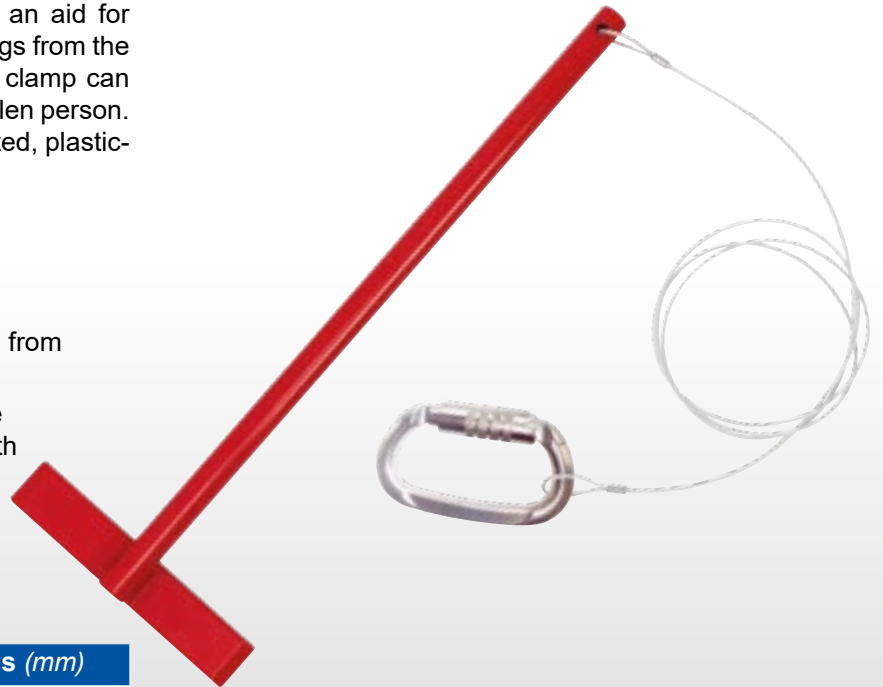
Ideal aid for rescue operations



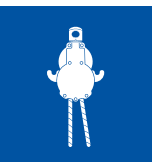
The IKAR T-Bar (rope release lever) is an aid for restraining close-fitting ropes and webbings from the structure so that, for example, a rescue clamp can be easily connected to the lanyard of a fallen person. The lever is loss protected by the integrated, plastic-coated steel rope with carabiner.



- Lightweight and robust construction made from aluminium
- Rounded edges to protect the lanyard from damage
- Fixed, plastic-coated steel safety rope with snap hook, Ø 3 mm x 1.5 m length
- Dimensions: 430 x 160 x 23 mm



Order No.	Dimensions (mm)
42-Z 5	430 x 160 x 23





Proven Technology. Proven Safety.

A suitable anchorage device / anchorage point is a prerequisite for the use of personal fall protection systems. IKAR GmbH not only offers a selection of anchoring systems, but also professional assembly on request.



Webbing Anchorage Sling

according to EN 795:2012 Typ B; CEN/TS 16415:2013; EN 354:2010

- Sewn loop sling made from 28 mm polyester webbing
- Fitted with a tubular web wear sleeve

Application:

Anchorage device for use in fall restraint and fall arrest systems

Areas of use:

Industry, construction and utility



Length	Order No.	Weight
0,50 m	45-IK AB 50	100 g
1,00 m	45-IK AB 100	200 g
1,50 m	45-IK AB 150	300 g
2,00 m	45-IK AB 200	400 g



Steel Cable Anchorage Sling

according to EN 795:2012 Typ B; CEN/TS 16415:2013; EN 354:2010

- Swaged double ended loop sling
- Ø 6 mm galvanized steel cable

Application:

Anchorage device for use in fall restraint and fall arrest systems

Areas of use:

Industry, construction and utility



Length	Order No.	Weight
0,50 m	45-IK AS 50	185 g
1,00 m	45-IK AS 100	265 g
1,50 m	45-IK AS 150	345 g
2,00 m	45-IK AS 200	425 g



AP-MAV

according to EN 795:2012 Typ B und CEN/TS 16415:2017

The mobile anchorage connector is intended for the creation of a suitable anchorage point on an IKAR kernmantle rope type KMS 105 and has been tested and approved for fall protection and rescue of a maximum of 2 people.

- Aluminium construction
- Easy to use
- Corrosion resistant coating



Order No.	Weight
AP-MAV	0,17 kg



Anchorage Beam Clamp

according to EN 795:2012 Typ B

Easily mountable and removable anchor point for commercially available I-shaped steel beam structures.

The structure is not damaged during assembly and application.

- Adjustable beam clamp
- Designed to fit 84 - 265 mm wide "I" Beams up to 23 mm thick
- Made of sturdy and light aluminium/polyester webbing
- Nickel plated D-Ring
- Spring loaded easily adjustable jaws with securing screws
- Minimum breaking load : 18 kN



Order No.	max. Load	Weight
41-TK	1 Pers.	2,2 kg





Eyebolt AP-Fix W rotating

according to N 795:2012 Typ A; CEN/TS 16415:2013

With its 360° rotatable eyelet, the AP-Fix W offers an optimum of freedom of movement, especially in limited working areas such as wind turbines, on large machines, in maintenance halls or in industrial production facilities.

- Free rotating ring eye
- incl. mounting material



Order No.	max. Load	Weight
AP-Fix W	2 Pers.	480 g



Eyebolt AP-Fix

according to EN 795:2012 Typ A; CEN/TS 16415:2013

- Ring eyelet made from stainless steel V2A, with threaded bolt M 16 for anchoring in concrete with reaction adhesive
- Galvanised total length approx. 125 mm



Concrete



Order No.	max. Load	Weight
AP-Fix	2 Pers.	440 g



Eyebolt AP-Fix S

according to EN 795:2012 Typ A; CEN/TS 16415:2013

- ring eyelet with threaded bolt M 16 for fastening to steel constructions with nut and washer, made from stainless steel V2A
- Clamping length max. 40 mm
- total length approx. 65 mm



Order No.	max. Load	Weight
AP-Fix S	2 Pers.	460 g

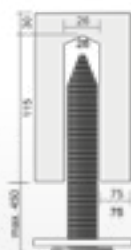


Mobile, rotatable anchor point MAP

according to EN 795:2012 Typ B; CEN/TS 16415:2017

- Anchor point removable at the push of the safety button, suitable for up to 2 persons
- Ø 24 mm sleeve for anchoring in concrete with injection adhesive (MAP-H) or for anchoring to steel structures (MAP-SH)
- Sleeve and ball bearing pin with rotatable eyelet made from stainless steel
- Sleeve length approx. 100 mm or long sleeve approx. 450 mm, metric sleeve thread M 24 external
- Weight 300 g

Concrete



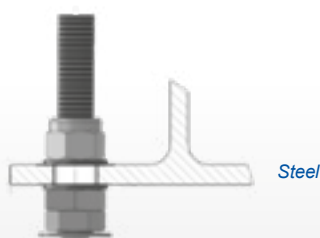
Mobile Eyebolt:

Order No.
MAP

Sleeve versions - Concrete:

Order No.
MAP-H 100
MAP-H 150
MAP-H 200
MAP-H 250
MAP-H 300

Order No.
MAP-H 350
MAP-H 400
MAP-H 450
MAP-H 500
MAP-H 550



Sleeve version- Steel:

Order No.
MAP-SH 100
MAP-SH 150
MAP-SH 200
MAP-SH 250
MAP-SH 300

Sleeve



MAP



Order No.
MAP-SH 350
MAP-SH 400
MAP-SH 450
MAP-SH 500
MAP-SH 550





Temporary horizontal lifeline HLL

Shockabsorber HLL

according to 795:2012 Typ B/C



The IKAR temporary horizontal lifeline system is a tested and certified personal protective equipment against falling which is used in combination with IKAR height safety devices according to EN 360 or shock absorbing lanyards according to EN 355.



The system is the ideal solution for applications where temporary fall protection is required. An integrated switchable backstop facilitates pretensioning of the system. The innovative pretensioning indicator shows the user directly when the correct pretensioning force has been reached.



In addition, the IKAR HLL system presents itself with a release function. A person who has fallen into the system can be lowered over a maximum length of 2.0 meters. This saves valuable time in the event of rescue.



- Maximum span 12 m
- System capacity of 1 Person
- Rescue length up to 2 m
- Pre-tension 1,0 kN
- Steel cable Ø 6,0 mm



Application:
Attachment



Areas of use:
Industry, Scaffolding, Construction



Order No.	Suspension	Weight	Dimensions (mm)	Function
41-HLL 12/6	Swivel	4,2 kg	385 x 197 x 158	Anchorage device

Temporary horizontal lifeline HAL

ABS 3a WH with pre-tension indicator

according to EN 341:2011/1A bzw. 1B; EN 1496:2017/A; EN 795:2012 Typ B/C



Versatility has a new dimension. The IKAR abseil rescue device with integrated pretensioning indicator as a temporary horizontal rope system, is a tested and certified personal protective equipment against falls from a height in combination with IKAR retractable type fall arresters according to EN 360 or shock absorbing lanyards according to EN 355.

The system is the ideal solution for applications where temporary fall protection is required. An integrated switchable backstop facilitates pretensioning of the rope system.

The innovative pretensioning indicator shows the user directly when the correct pretensioning force has been reached. In addition, the IKAR HAL system presents itself as a descender rescue device. A person who has fallen into the system can be lowered over a maximum length of 100 meters. This saves valuable time in the event of rescue.

- Maximum span 12 m
- System capacity of 1 Person
- Rescue length up to 100 m
- Pre-tension 1,0 kN
- Kernmantle rope Ø 10,5 mm

Application:

Attachment, Rescue

Areas of use:

Industry, Scaffolding, Construction

Order No.	Suspension	Weight	Dimensions (mm)	Function
42-HAL 12	Swivel	3,2 kg	248 x 197 x 147	Anchorage device / rescue device

Order No.	Dimension	Weight	Rope Suspension	Function
KMS 105-X	Ø 10,5 mm	70 g/m	up to 20 m, carabiner on both sides	Lowering rope
KMS 105	Ø 10,5 mm	70 g/m	per metre additionally	Lowering rope





Carriage for Personal Fall Protection Devices

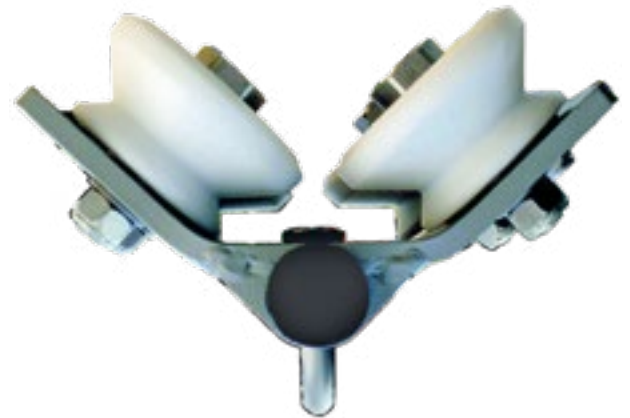
Certified as mobile anchorage device for personal safety devices in accordance with EN 795:2012 Type B



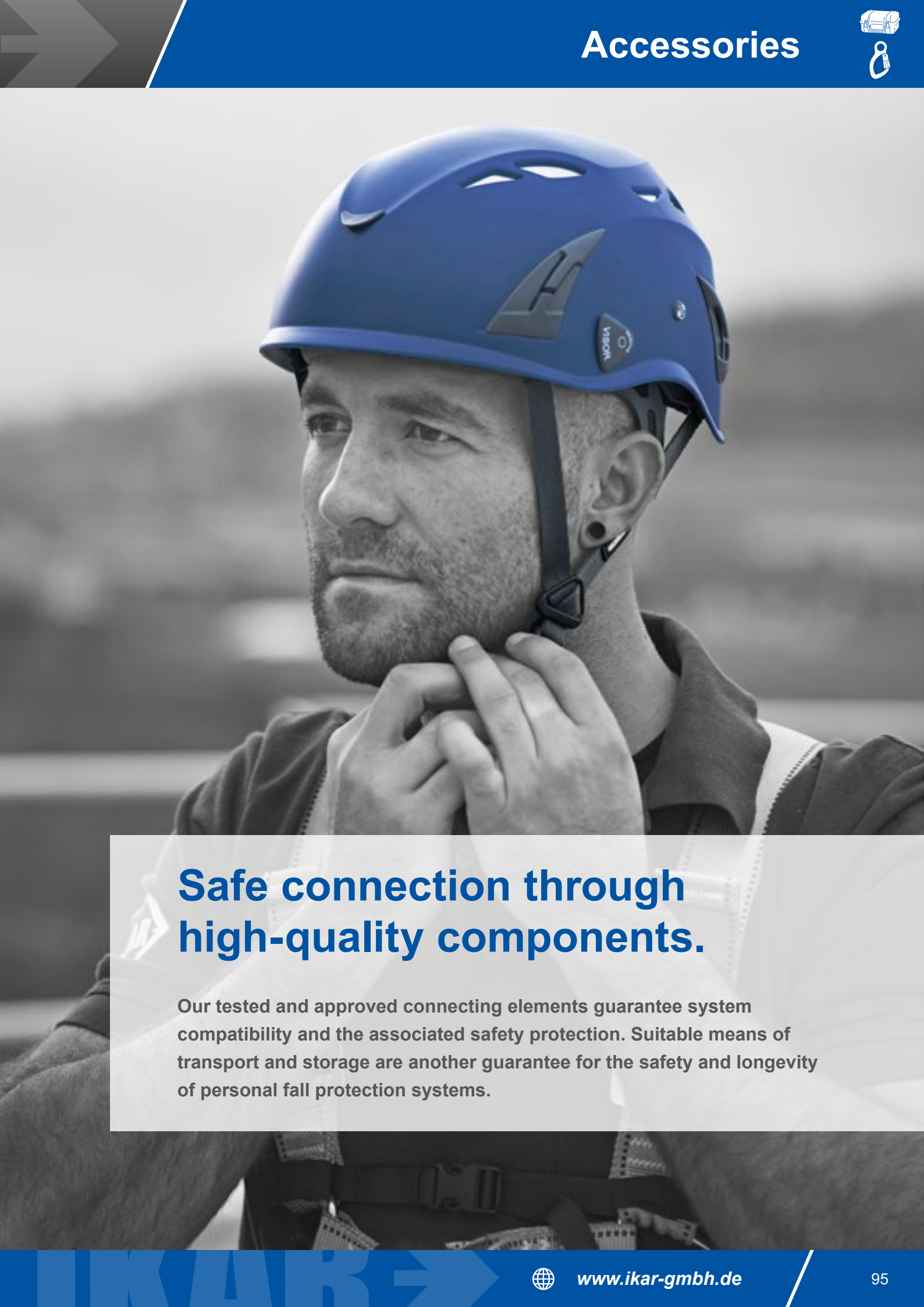
The IKAR carriage is a mobile anchoring device for securing a person to an existing I-beam steel structure. The construction must be able to withstand the forces that occur in the event of a fall, in the direction of the load. (According to EN 795, verification by the technical building regulations).



- Corrosion-resistant V2A stainless steel design
- Smooth-running design due to guide rollers with dual ball-bearings
- For optimum backlash-free running of the carriage track clearance is adjustable by eccentric bolts
- Low-noise, structure-friendly running due to polyamide rollers
- Automatically follows in a vertical position above the user
- Impact bumpers mounted on both sides
- Available for various IPE beam sizes (see table below)



Order No.	Type	Beam Type	max. Field Length
41-LW 100	LW 100	IPE 100	3.000 mm
41-LW 120	LW 120	IPE 120	4.000 mm
41-LW 140	LW 140	IPE 140	4.000 mm
41-LW 160	LW 160	IPE 160	6.000 mm
41-LW 200	LW 200	IPE 200	8.000 mm
41-LW 270	LW 270	IPE 270	10.000 mm
41-LW 360	LW 360	IPE 360	15.000 mm



Safe connection through high-quality components.

Our tested and approved connecting elements guarantee system compatibility and the associated safety protection. Suitable means of transport and storage are another guarantee for the safety and longevity of personal fall protection systems.



Double Action Hook IKV 06

according to EN 362:2004

- Steel version with double action mechanism
- approx. 65 x 131 mm (B x L_k)
- Gate opening Ø 18 mm

Order No.	Load Bearing Capacity	Weight
400000SH00	22 kN	245 g



Double Action Hook IKV 11

according to EN 362:2004

- Aluminium version with oval eye especially for webbing components
- approx. 72,5 x 136,5 mm (B x L_k); Gate opening Ø 25 mm

Order No.	Load Bearing Capacity	Weight
400002B0224	30 kN	135 g



Carabiner Hook IKV 13

according to EN 362:2004

- Steel version with screwgate mechanism
- approx. 57 x 109 mm (B x L_k); Gate opening Ø 18 mm
- Optional with pin

Order No.	Load Bearing Capacity	Weight
400000SK00	25 kN	165 g



Carabiner Hook IKV 14

according to EN 362:2004

- Steel version with screwgate mechanism
- approx. 81,5 x 123 mm (B x L_k)
- Gate opening Ø 28 mm
- Optional with pin

Order No.	Load Bearing Capacity	Weight
400000SHG0	35 kN	274 g



Large Carabiner Hook IKV 17

according to EN 362:2004

- Steel version with TWIST-LOCK mechanism
- approx. 132 x 231 mm (B x L_k); Gate opening Ø 54 mm
- Optional with pin

Order No.	Load Bearing Capacity	Weight
41-z10	35 kN	760 g



Carabiner Hook IKV 18

according to EN 362:2004

- Steel version with TRI-LOCK mechanism
- approx. 77 x 119 mm (B x L_k); Gate opening Ø 25 mm
- Lateral force capacity 15 kN
- Optional with pin

Order No.	Load Bearing Capacity	Weight
4000000018	53 kN	265 g



Double Action Hook with Fall Indicator IKV 21

according to EN 362:2004

- Aluminium version with double action mechanism and swivel
- approx. 74,5 x 185,5 mm (B x L_k); Gate opening Ø 26 mm

Order No.	Load Bearing Capacity	Weight
40000WF0224	28 kN	183 g



Double Action Hook IKV 28

according to EN 362:2004; ANSI Z 359.12-09; CSA Z 259.12-11

- Steel version with double action mechanism
- approx. 65 x 147 mm (B x L_k)
- Gate opening Ø 21 mm

Order No.	Load Bearing Capacity	Weight
40000N3610	23 kN	384 g





Double Action Hook with Fall Indicator IKV 29

according to EN 362:2004

- Stainless steel version with double action mechanism and swivel
- approx. 54 x 184 mm (B x L_k)
- Gate opening Ø 18 mm



Order No.	Load Bearing Capacity	Weight
40000E0000	23 kN	394 g



Carabiner Hook IKV 30

according to EN 362:2004

- Steel version with TRI-LOCK mechanism
- approx. 54,5 x 108,5 mm (B x L_k); Gate opening Ø 17 mm
- Optional with pin



Order No.	Load Bearing Capacity	Weight
4000000030	25 kN	196 g



Large Carabiner Hook IKV 31

according to EN 362:2004

- Steel version with TWIST-LOCK mechanism
- approx. 132,5 x 237 mm (B x L_k); Gate opening Ø 55 mm
- Optional with pin



Order No.	Load Bearing Capacity	Weight
4000002012	35 kN	746 g



Double Action Hook with Fall Indicator IKV 33

according to EN 362:2004; ANSI Z 359.12-09; CSA Z 259.12-11

- Steel version with double action mechanism
- approx. 65 x 196 mm (B x L_k)
- Gate opening Ø 21 mm



Order No.	Load Bearing Capacity	Weight
4000000033	23 kN	500 g



Triple Carabiner Hook with Fall Indicator IKV 34

according to EN 362:2004

- Aluminium version with TRI-LOCK mechanism and swivel
- approx. 79 x 180 mm (B x L_k); Gate opening Ø 21 mm



Order No.	Load Bearing Capacity	Weight
4000000034	25 kN	170 g



Carabiner Hook IKV 35

according to EN 362:2004

- Steel version with TWIST-LOCK mechanism
- approx. 55 x 108 mm (B x L_k); Gate opening Ø 17 mm
- Optional with pin



Order No.	Load Bearing Capacity	Weight
4000000035	25 kN	198 g



Carabiner Hook IKV 36

according to EN 362:2004

- Steel version with TWIST-LOCK mechanism
- approx. 81,5 x 123 mm (B x L_k); Gate opening Ø 27 mm
- Optional with pin



Order No.	Load Bearing Capacity	Weight
4000000036	35 kN	294 g



Carabiner Hook IKV 37

according to EN 362:2004

- Special carabiner steel version with TRI-LOCK mechanism
- approx. 18 x 61 mm (B x L_k)
- Gate opening Ø 15 mm



Order No.	Load Bearing Capacity	Weight
4000000037	25 kN	190 g





Carabiner Hook IKV 47

according to EN 362:2004; ANSI Z359.12-2019; CSA Z259.12-16

- Aluminium version with TRI-LOCK mechanism
- approx. 80 x 141 mm (B x L_k)
- Gate opening Ø 22 mm



Order No.	Load Bearing Capacity	Weight
4000000047	23 kN	149 g



Large Double Action Hook IKV 53

according to EN 362:2004; ANSI Z359.12-2019; CSA Z259.12-16

- Steel version with double action mechanism approx. 139 x 243 mm (B x L_k)
- Gate opening Ø 65 mm



Order No.	Load Bearing Capacity	Weight
4000000053	23 kN	800 g



Carabiner Hook IKV 54

according to EN 362:2004; ANSI Z359.12-2019; CSA Z259.12-16

- Aluminium version with TRI-LOCK mechanism
- approx. 77,9 x 123,4 mm (B x L_k); Gate opening Ø 22 mm
- Optional with pin



Order No.	Load Bearing Capacity	Weight
4000000054	24 kN	147 g



Large Double Action Aluminium Hook IKV 55

according to EN 362:2004; ANSI Z359.12-2019; CSA Z259.12-16

- Aluminium version with double action mechanism
- approx. 144 x 248 mm (B x L_k)
- Gate opening Ø 61 mm



Order No.	Load Bearing Capacity	Weight
4000000055	23 kN	637 g

Large Double Action Hook IKV 58

according to EN 362:2004; ANSI Z359.12-2019; CSA Z259.12-16

- Aluminium version with double action mechanism, fall indicator and swivel
- approx. 145 x 291 mm (B x L_k); Gate opening Ø 62 mm



Order No.	Load Bearing Capacity	Weight
4000000058	23 kN	705 g



Tripod Carrying Bag

fits for all IKAR tripods

- Very solid construction to protect the tripod
- 2 carrying handles and zipper



Order No.	Weight	Dimensions (mm)
40-58	1,7 kg	1.650 x 300 x 300
40-58 XLA3	1,7 kg	2.150 x 300 x 300





Metal Case for Equipment and Accessories

- Solid and robust metal design
- Safe storage and transport of equipment and accessories

Dimensions: 50 x 30 x 25 cm



Order No.	Weight
41-z55	1,7 kg



Plastic Case for Equipment and Accessories

- Solid and robust plastic design
- Safe storage and transport of equipment and accessories

Dimensions: 42 x 34 x 16 cm



Order No.	Weight
41-z60	1,1 kg



Bags for Equipment and Accessories

- Robust textile design
- Safe storage and transport of equipment and accessories

Dimensions: Ø 30 x 60 cm height



Order No.	Weight
40-56	1,15 kg





Establish a safe connection together.

The IKAR sets offer a reasonable combination of basic components of personal fall protection systems for different trades, areas of application and rescue measures for working at height.



Rescue Kit

Safety until you return to the ground

The rescue kit is specially designed for persons using personal fall protection equipment who are unable to free themselves after falling into a retractable fall arrester or fall arrest lanyard and are therefore dependent on external rescue.

The complete rescue kit consists of:

- ABS 3a WH descent device with emergency lifting function, for lifting and/or lowering the casualty
- 1 m long anchorage sling
- IKV 13 steel screwgate carabiner hook as connecting element
- Kernmantle rope Ø 10.5 mm in standard lengths of 20 m or 40 m with IKV 11 small aluminium double action hook
- Other rope lengths on request
- A telescopic pole (extendable up to 3.60 m), with bracket to hold IKV 11 safety hook in gate open position
- Robust backpack carrying and storage bag
- Detailed instructions for use



Order No.	Description
41-RSET/20	Rescue Kit, 20 m
41-RSET/40	Rescue Kit, 40 m



Standard Kit

Standard relieves the operational organization

Set includes:

- IKAR Full Body Harness IK G 1 A
- 1.5 m long lanyard made from kernmantle rope with shock absorber; double action steel hook IKV 06 and double action tube hook IKV 55
- Device bag

Application:

Scaffolding, steel structures



Order No.	Description
SET01	Standard Kit



Sweety Kit

Fall protection for the demanding user

Set includes:

- IKAR Full Body Harness IK G 1 A
- Retractable type fall arrester HWB 2 (certified over a sharp edge) optionally with tube hook IKV 55 at the webbing with 60 mm opening gate (with surcharge)
- Carabiner hook IKV 13
- 1 m webbing anchorage sling as anchor device
- Device bag

Application:

For movement-intensive work on steel roofs, flat roofs, ladders, steel structures, scaffolding

Order No.	Description
SET02	Sweety Kit



AG 01 Kit

Universal fall protection for the experienced user

Set includes:

- IKAR Full body Harness IK G 1 A
- Guided type fall arrest device IK AG 01
- Ø 12 mm kernmantle rope, total length 10 m
- 2 m webbing anchorage sling
- Device bag

Application:

Work on roofs, ladders, windows and facades

Order No.	Description
SET05	AG 01 Kit





Elevated Working Platforms Kit

Fall protection in mobile elevating work platforms

Set includes:

- IKAR harness IK G 2 B
- Retractable type fall arrester ACB 1,8
- with double action hook IKV 11
- Device bag
- Carabiner hook IKV 30



Areas of use:

Working platforms

Order No.	Description
SET08	MEWP Kit



Scaffolding Kit

Maximum protection against falling thanks to maximum performance

Set includes:

- IKAR harness IK G 2 BX flex
- Retractable type fall arrester HWB 2 DWG
- Large double action hook IKV 55 at each end of webbing
- Device bag

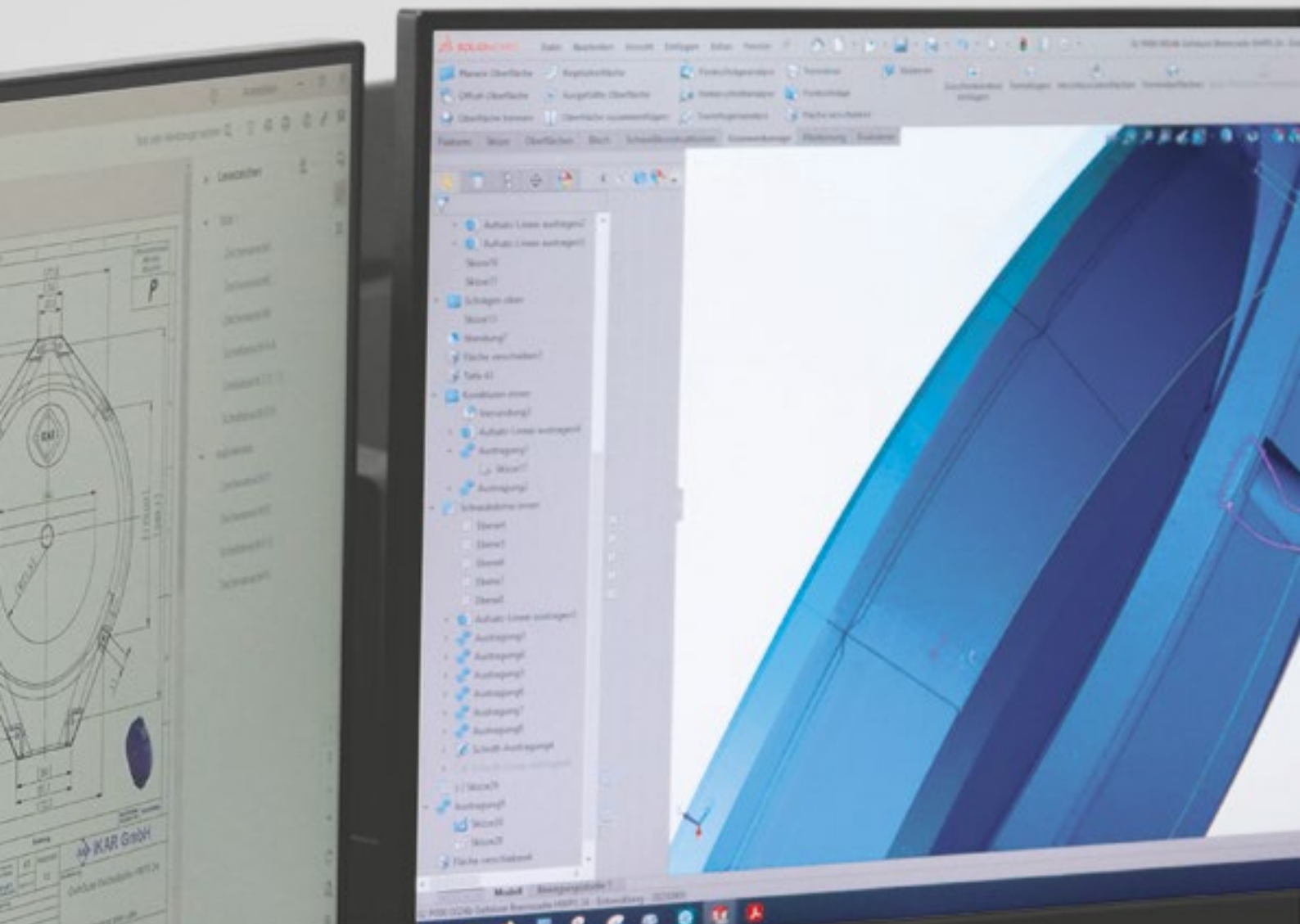


Application:

Scaffolding

Order No.	Description
SET09	Scaffolding Kit





One more thing

It is not always possible to achieve the optimal and most cost-effective solutions for safety when working at heights and depths with standard products.

For over 40 years, we have specialised in adapting our products to your individual needs.



Discover customised security solutions with IKAR GmbH!



We are proud to offer not only standard fall protection and rescue solutions, but also customised solutions that meet your exact needs. Whether you need to make modifications to our proven products to comply with local regulations or require complex safety systems for demanding environments such as filling stations, maintenance stations in halls or waste water plants - we have the solution for you.



Our experienced IKAR application engineers are here to help. They will come to your site in person to assess the local conditions and understand your specific safety requirements. From the initial consultation to the final installation and handover of your operationally safe security system to you, our experts are your reliable partner.



Why choosing IKAR?

Customised solutions:

- We develop the safety product you need or adapt our products to your individual requirements.
- In a world that is constantly changing, you need products that you can always rely on in any situation.



Quality:

- We guarantee the highest standards.
- Our testing facilities are state of the art.
- Our products undergo strict quality controls and tests. Only products that pass these tests leave our factory halls. us.



Expert advice:

- Our application technicians are at your side every step of the way.
- They will support you during installation or carry it out at your premises.
- We rely on highly qualified professionals and state-of-the-art manufacturing techniques to ensure that every detail is just right.



Safety

- On-site inspections are no problem for us.
- You can rely on our many years of experience and expertise.



Reliability

- Our equipment allows us to test our products under extreme conditions. Whether extreme heat, bitter cold or high humidity - our products retain their quality and performance.
- If desired, we can support you with the approval process or carry it out for you.

Training:

- Our security experts provide training to ensure that the security system is used correctly.
- Maintenance training and regular maintenance at your site are also offered.



Your safety is our ultimate goal.

For innovative fall protection and rescue solutions, trust IKAR. Contact us today to find out how we can exceed your safety requirements.





Individually adaptable products

Our range of products for the protection of persons or loads from falling includes a large selection for a wide variety of applications, which can also be individually adapted to your requirements.



Load safety devices

Different machine safety requirements demand different solutions for the design of the safety catch mechanism. In consultation with you, the selection of a suitable standard product is always guaranteed.



Cantilever Arm AASS-M

The IKAR extension arm was specially developed for flange mounting. The hole pattern can be varied according to your requirements.

In addition, the AASS-M is compatible with our IKAR fall arresters with lifting function and can be equipped with further accessories, such as the IKAR rescue slide (with ergonomically shaped slide body and central rope guide).



If you have any questions, please contact us. We will be happy to offer you the suitable product for you.



Our Applicable Sales, Delivery and Payment Conditions

1. General

Any deliveries and services are exclusively based on the following terms and conditions. The purchaser's purchase conditions are expressly excluded herewith. We are not committed to such conditions, even if these have not been expressly objected again at the time of contract performance. All our offers are subject to change and noncommittal. Orders, price agreements and any other agreements also and in particular if these orders and agreements modify the sales conditions are subject to our written confirmation.

2. Technical Documents

All information and illustrations as well as dimensions and weight tables, etc., are approximations, unless especially confirmed by us.

3. Delivery Terms, Delivery Dates

Delivery terms and dates are approximations unless agreed otherwise. Delivery terms start with date of the order receipt. Delivery terms and dates refer to the time of dispatch ex works. In case of a delay, the purchaser agrees to allow a reasonable extension of time. If the delay is due to our production situation, the latter must be considered for calculating the extension of time. Damage claims due to non-performance or delayed performance are excluded. In case of a Force Majeure event with an impact on us, our pre-suppliers, transport companies or the purchaser, the delivery term is extended according to the duration of the Force Majeure event.

4. Partial Deliveries

Reasonable partial deliveries are admissible.

5. Prices

The indicated prices are ex works and net of the applicable VAT. Packaging, shipping and transport insurance costs are not included.

6. Payment Terms

Payments within a period of 10 days from the invoice date are subject to a discount of 2%. All invoices are payable without deduction within 30 days from the invoice date. New customers pay in advance.

7. Despatch

Despatch is ex works and without any guarantee for the cheapest despatch method insofar as no specific arrangement is made. Shipments within Europe as from a net goods value of € 5,000 are delivered free, air and sea freight shipments are freight forward, below a net goods value of € 50 there is a processing fee of € 10 ex works.

8. Liability and Warranty

Except for cases of intent and gross negligence, any liability of the seller's legal representatives, assistants and employees is excluded. All items are subject to a guarantee (warranty) period of 12 months from the delivery of the products. If any product should become defective during the warranty period, the purchaser is at first entitled to a removal of the defect (remedy). If the remedy fails, the product is replaced by a similar or comparable new product. If such replacement is impossible, the purchase price will be reimbursed. Any additional damage claims are excluded. The purchaser is obligated to notify in writing to or have registered by the seller, any visible defects within 7 day from the goods receipt. Warranty obligations do not apply, if the occurred defect is due to an inappropriate use or overstressing of the purchased product or if parts have been mounted to the product or the latter has been modified without the seller's consent or if the purchaser has not observed the operation, maintenance and servicing instructions (e.g. operation manual) of the product. Natural wear and tear and aging is excluded from the warranty.

9. Place of Delivery, Place of Venue

Place of delivery is the registered office of the seller. For all current and future claims resulting from business relationships with general merchants, including draft- and cheque claims, place of venue is solely the registered office of the seller. The same place of venue applies if the purchaser has no general domestic place of venue, or after conclusion of contract transfers his residence abroad, or the purchaser's permanent dwelling is unknown at the point in time of the filing of a complaint. All other customers are subject to the competent legal venue for their place of residence. The same legal venue applies if the purchaser does not have a domestic general legal venue, relocates his/her place of residence or usual domicile to a foreign country after the conclusion of the contract or if the place of residence or usual domicile is unknown at the time of filing a claim. All other customers are subject to the competent legal venue for their place of residence.

10. Data Privacy

Without your express consent, your data will only be used for processing your order and will be stored electronically in the context of a business relationship. Your data will only be forwarded to companies contracted for the delivery, to the extent required for order processing. Otherwise, your data will be treated strictly confidential and not disclosed to third parties.

11. Retention of Title

The goods remain the sole property of IKAR GmbH up to their complete payment.

12. Severability

If any of the provisions mentioned above becomes ineffective, all other provisions shall remain in full effect.









IKAR GmbH
Technologiepark Fulda
Nobelstrasse 2
36041 Fulda
Germany

Fon: +49 (0) 661 - 22050
Fax: +49 (0) 661 - 21842

www.ikar-gmbh.de
kontakt@ikar-gmbh.de